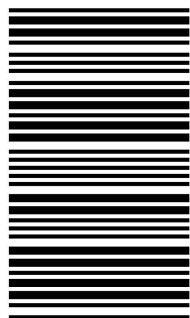


کد کنترل

330

C



330C

## آزمون ورودی دوره‌های کارشناسی ارشد ناپیوسته - سال ۱۴۰۴

صبح پنج‌شنبه

۱۴۰۳/۱۲/۰۲



جمهوری اسلامی ایران  
وزارت علوم، تحقیقات و فناوری  
سازمان سنجش آموزش کشور

«علم و تحقیق، کلید پیشرفت کشور است.»  
مقام معظم رهبری

### مهندسی شیمی (کد ۱۲۵۷)

مدت زمان پاسخگویی: ۲۲۰ دقیقه

تعداد سؤال: ۱۴۵ سؤال

عنوان مواد امتحانی، تعداد و شماره سؤال‌ها

ردیف	مواد امتحانی	تعداد سؤال	از شماره	تا شماره
۱	زبان عمومی و تخصصی (انگلیسی)	۲۵	۱	۲۵
۲	انتقال حرارت (۱ و ۲)	۱۵	۲۶	۴۰
۳	ترمودینامیک	۲۰	۴۱	۶۰
۴	مکانیک سیالات	۱۵	۶۱	۷۵
۵	کنترل فرایند	۱۵	۷۶	۹۰
۶	انتقال جرم و عملیات واحد (۱ و ۲)	۲۰	۹۱	۱۱۰
۷	طرح راکتورهای شیمیایی	۱۵	۱۱۱	۱۲۵
۸	ریاضیات (کاربردی، عددی)	۲۰	۱۲۶	۱۴۵

این آزمون نمره منفی دارد.

استفاده از ماشین حساب مجاز نیست.

حق چاپ، تکثیر و انتشار سؤالات به هر روش (الکترونیکی و...) پس از برگزاری آزمون، برای تملک اشخاص حقیقی و حقوقی تنها با مجوز این سازمان مجاز می‌باشد و با متخلفین برابر مقررات رفتار می‌شود.

\* داوطلب گرامی، عدم درج مشخصات و امضا در مندرجات کادر زیر، به منزله عدم حضور شما در جلسه آزمون است.

اینجانب ..... با شماره داوطلبی ..... با آگاهی کامل، یکسان بودن شماره صندلی خود با شماره داوطلبی مندرج در بالای کارت ورود به جلسه، بالای پاسخنامه و دفترچه سؤالات، نوع و کد کنترل درج شده بر روی جلد دفترچه سؤالات و پایین پاسخنامه ام را تأیید می‌نمایم.

امضا:

زبان عمومی و تخصصی (انگلیسی):

### PART A: Vocabulary

**Directions:** Choose the word or phrase (1), (2), (3), or (4) that best completes each sentence. Then mark the answer on your answer sheet.

- 1- One theory holds that humans became highly ..... because evolution selected those of our forefathers who were especially good at solving problems.  
1) successive      2) concerned      3) passionate      4) intelligent
- 2- Is it true that the greenhouse ....., the feared heating of the earth's atmosphere by burning coal and oil, is just another false alarm?  
1) effect      2) energy      3) force      4) warmth
- 3- In most people, the charitable and ..... motives operate in some reasonable kind of balance.  
1) obvious      2) high      3) selfish      4) prime
- 4- Whatever the immediate ..... of the Nigerian-led intervention, West African diplomats said the long-term impact of recent events in Sierra Leone would be disastrous.  
1) reciprocity      2) outcome      3) reversal      4) meditation
- 5- The last thing I would wish to do is to ..... a sense of ill will, deception or animosity in an otherwise idyllic environment.  
1) postpone      2) accuse      3) foster      4) divest
- 6- While the movie offers unsurpassed action, ..... script makes this the least of the three "Die Hards."  
1) an auspicious      2) a stirring      3) an edifying      4) a feeble
- 7- Relations between Communist China and the Soviet Union have unfortunately begun to ..... again after a period of relative restraint in their ideological quarrel. We can only hope that common sense prevails again.  
1) ameliorate      2) deteriorate      3) solemnize      4) petrify

### PART B: Cloze Test

**Directions:** Read the following passage and decide which choice (1), (2), (3), or (4) best fits each space. Then mark the correct choice on your answer sheet.

Before the 1970s, the Olympic Games were officially limited to competitors with amateur status, but in the 1980s, many events .....(8) to professional athletes. Currently, the Games are open to all, even the top professional athletes in basketball and

football. The ancient Olympic Games included several of the sports .....(9) of the Summer Games program, which at times has included events in as many as 32 different sports. In 1924, the Winter Games were sanctioned for winter sports. ....(10) regarded as the world's foremost sports competition.

- 8- 1) to be opened  
2) that were opening  
3) were opened  
4) opening
- 9- 1) that are now part  
2) which now being part  
3) now are parts  
4) had now been parts
- 10- 1) The Olympic Games came to have been  
2) The Olympic Games have come to be  
3) The fact is the Olympic Games to be  
4) That the Olympic Games have been

### PART C: Reading Comprehension

**Directions:** Read the following three passages and answer the questions by choosing the best choice (1), (2), (3), or (4). Then mark the correct choice on your answer sheet.

#### PASSAGE 1:

The emergence of chemical product engineering in the vocabulary of chemical engineering is closely related to the need for moving the design of chemical products from an empirical art toward a science. Chemical process industries have always launched successful products. However, in view of the dynamic and demanding markets companies have to deal with, more systematic approaches have to be adopted in order to guarantee competitiveness. As a consequence, chemical product engineering is becoming a well-established branch of chemical engineering. The concept has been emerging for the last decade. A recent review counted over 300 references related to chemical product engineering available in the open literature.

Some authors have discussed the history of chemical engineering in terms of two paradigms—unit operations (developed in the 1920s and 1930s) and transport phenomena (developed in the late 1950s)—and identified chemical product engineering as a possible third paradigm. However, although some efforts have been made to elucidate the scope of chemical product engineering and position it in the context of chemical engineering, the field is broad and developing in many directions, and a consensual structure for the discipline has not been achieved yet. Such a structure is essential for its full acceptance as an autonomous and dedicated branch of chemical engineering science.

- 11- The underlined word “emergence” in paragraph 1 is closest in meaning to .....  
1) significance      2) operation      3) appearance      4) urgency
- 12- The underlined phrase “The concept” in paragraph 2 refers to .....  
1) chemical product engineering      2) well-established branch  
3) chemical engineering      4) consequence
- 13- All of the following words are mentioned in the passage EXCEPT .....  
1) directions      2) dynamic      3) review      4) materials

- 14- According to paragraph 2, in spite of attempts at clarification of the extent and place of chemical product engineering in chemical engineering, ..... .
- 1) it is accepted as an autonomous branch of chemical engineering
  - 2) the field is limited and developing in several directions
  - 3) a general agreement on its structure does not exist
  - 4) an essential scope has been established for it
- 15- According to the passage, which of the following statements is true?
- 1) All scholars regard chemical product engineering as the third paradigm of chemical engineering.
  - 2) Chemical product engineering is a relatively recent term in chemical engineering.
  - 3) The unit operations paradigm succeeded that of transport phenomena.
  - 4) Chemical process industries have seldom created effective products.

**PASSAGE 2:**

The goal of statistical mechanics is to interpret and predict the properties of macroscopic systems on the basis of their microscopic constituents. It provides the bedrock for understanding numerous natural phenomena and for design and optimization of chemical processes. The importance of statistical mechanics in chemical engineering has been recognized for many years. One prominent example, primarily from the 1960s and 1970s, is the development and application of equations of state and local-composition models, attained by ingenious combinations of basic concepts from statistical mechanics (in particular, van der Waals equation of state and Boltzmann's distribution law) with extensive experimental data. These semiempirical methods have been widely used in phase- and chemical-equilibrium calculations that are essential in chemical engineering practice. Another well-known example constitutes the applications of statistical-mechanical models to gas adsorption and hydrate formation.

Although the van der Waals equation of state and Boltzmann's distribution law have played a pivotal role in many classical molecular-thermodynamic models, in recent years, a number of more sophisticated statistical-mechanical methods have also been used, driven by diverse special applications related to fluid-phase equilibria, polymeric materials, colloids, and interfacial engineering. These more rigorous theoretical methods are based on molecular simulations, liquid-state theories, polymer self-consistent field theory, and classical density functional theory. For example, powerful field-theoretical methods have been developed for predicting the mesoscopic structures of polymeric systems, and general equations of state have been established for fluid-phase equilibrium calculations involving virtually any system of practical interest.

- 16- According to paragraph 1, inventive combinations of principal notions from statistical mechanics with experimental data led to ..... .
- 1) developments such as van der Waals equation of state and Boltzmann's distribution law
  - 2) phase-and chemical-equilibrium calculations essential in chemical engineering practice
  - 3) the application of gas emission and hydrate analysis to statistical-mechanical models
  - 4) the development and application of equations of state and local-composition models
- 17- The underlined word "virtually" in paragraph 2 is closest in meaning to ..... .
- 1) effectively
  - 2) by virtue of
  - 3) not really
  - 4) deficiently



- 18- According to paragraph 2, the more meticulous statistical-mechanical methods used recently have their basis in .....
- 1) molecular simulations, liquid-state theories, polymer self-consistent field theory, and classical density functional theory
  - 2) diverse special applications related to fluid-phase equilibria, polymeric materials, colloids, and interfacial engineering
  - 3) powerful field-theoretical methods which have been developed for predicting the mesoscopic structures of polymeric systems
  - 4) general equations of state that have been specifically established for fluid-phase equilibrium calculations
- 19- According to the passage, which of the following statements is NOT true?
- 1) The van der Waals equation of state and Boltzmann's distribution law have made seminal contributions to numerous molecular-thermodynamic models.
  - 2) Statistical mechanics aims at interpretation and prediction of the properties of microscopic systems on the basis of their macroscopic constituents.
  - 3) Statistical mechanics is fundamental for understanding various natural phenomena and the design and enhancement of chemical processes.
  - 4) The significance of statistical mechanics in chemical engineering has been realized by experts in the field for a rather long time.
- 20- The passage provides sufficient information to answer which of the following questions?
- I. In what year was statistical mechanics first employed in chemical engineering?  
II. Are the methods used in chemical-equilibrium calculations purely empirical?  
III. Are the more recent statistical-mechanical methods more complex than earlier ones?
- 1) I and II
  - 2) Only I
  - 3) II and III
  - 4) Only III

**PASSAGE 3:**

Low-dimensional materials (LDMs) are a new class of materials, which have one or more physical dimension(s) constrained to the nanometer scale. This constraint implies that the electrons within them are confined to less than three dimensions, a property that imparts such materials with new and unusual properties, as well as new opportunities for novel engineering applications. The properties of low-dimensional materials are substantially different from those of their bulk counterparts, and their understanding requires the application of fundamental chemical engineering concepts. In studying such materials, the central focus has been on understanding their physical and chemical properties, and their potential technological applications. Examples of LDMs include two-dimensional (2-D) nanosheets, one-dimensional nanowires, nanotubes and nanorods (1-D), and zero-dimensional quantum dots (0-D), all of which showcase a whole new range of properties when compared to their three-dimensional (3-D) bulk equivalents, with the change in properties arising from quantum confinement and/or surface and interfacial effects.

Quantum confinement effects appear when the confining dimension(s) is (are) on the order of the wavelength of the electron wave function. This implies that when electrons or holes (the absence of electrons) are moving, their mean free path is larger than the dimension of the quantum structure, which typically happens at the nanoscale. In general, solids have a defined spectrum of allowable electronic states, called the electronic density of states (DOS). The nanoscale confinement in LDMs brings about a transition from a continuous to a discontinuous DOS which results in a whole new set of physical, optical

and chemical properties. For example, as a result of quantum confinement the electronic band gap of 0-D and 1-D semiconductors becomes size-dependent, leading to their use in many interesting photoelectronic applications, such as solar cells, light emitting diodes (LED) and diode lasers.

**21- Which of the following techniques is used in paragraph 1?**

- |               |                        |
|---------------|------------------------|
| 1) Quotation  | 2) Definition          |
| 3) Statistics | 4) Appeal to authority |

**22- According to paragraph 1, which of the following is true about LDMs?**

- 1) These materials possess such extraordinary properties that new opportunities for their novel engineering applications are not yet known, properties that are infrequently at variance with those of their bulk counterparts.
- 2) Their understanding requires the application of fundamental chemical engineering concepts, and research regarding them has solely focused on their potential technological applications in multiple areas.
- 3) Studies about them have in part concentrated on understanding their physical and chemical properties whose differences with 3-D bulk materials are partly rooted in surface and interfacial effects.
- 4) They have fewer physical dimensions than three-dimensional materials but more than zero-dimensional quantum dots, implying that their technological applications are confined to 1 or 2 dimensions.

**23- According to paragraph 2, the appearance of quantum confinement effects indicates that .....**

- 1) in general, solids have a fixed spectrum of allowable electronic states which is called the electronic density of states (DOS)
- 2) the confinement in LDMs results in a shift from a fragmented to a constant DOS, which in turn leads to a new set of physical, optical and chemical properties
- 3) the confining dimension is always significantly at odds with the order of the wavelength of the electron wave function
- 4) during the movement of electrons or holes, the dimension of the quantum structure is smaller than their mean free path

**24- Which of the following words best describes the author's attitude to LDMs' photoelectronic applications?**

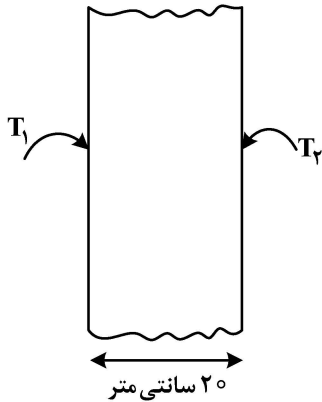
- |               |             |               |              |
|---------------|-------------|---------------|--------------|
| 1) Suspicious | 2) Critical | 3) Ambivalent | 4) Approving |
|---------------|-------------|---------------|--------------|

**25- Which of the following best describes the overall structure of the passage?**

- 1) A novel group of materials is introduced along with some examples and instances of their application.
- 2) The origin of the emergence of a new concept is presented and its historical evolution is discussed.
- 3) A survey of recent studies in a new area is presented and the seminal works on the subject are discussed.
- 4) The transition from one scientific paradigm to another and their respective advantages are presented.

انتقال حرارت (۱ و ۲):

۲۶- در دیواره‌ای با طول زیاد و ضریب هدایت حرارتی  $3 \frac{W}{m^{\circ}C}$  و ضخامت  $2^{\circ}$  سانتی‌متر، اگر دمای دو طرف دیواره به ترتیب  $T_1 = 100^{\circ}C$  و  $T_2 = 20^{\circ}C$  باشد، براساس توزیع درجه حرارت در دیواره در حالت پایا (steady state)، دما در فاصله ۵ سانتی‌متر از سمت چپ دیواره چند درجه سانتی‌گراد است؟



- ۴۰ (۱)
- ۵۰ (۲)
- ۶۰ (۳)
- ۸۰ (۴)

۲۷- لوله‌ای با شعاع داخلی  $r_1$  و شعاع خارجی  $r_2$  را در نظر بگیرید. اگر دمای سطح داخلی و خارجی لوله به ترتیب در دماهای  $T_1$  و  $T_2$  ثابت نگهداشته شود، با فرض انتقال حرارت هدایتی یک بعدی پایا (steady state)، با شروع از رابطه  $\frac{d}{dr}(r \frac{dT}{dr}) = 0$ ، توزیع دما در این استوانه برابر کدام مورد است؟

$$T(r) = \frac{\ln(\frac{r}{r_1})}{\ln(\frac{r_2}{r_1})} (T_2 - T_1) + T_1 \quad (2)$$

$$T(r) = \frac{\ln(\frac{r}{r_1})}{\ln(\frac{r_2}{r_1})} (T_1 - T_2) + T_1 \quad (1)$$

$$T(r) = \frac{\ln(\frac{r}{r_1})}{\ln(\frac{r_2}{r_1})} (T_2 - T_1) + T_2 \quad (4)$$

$$T(r) = \frac{\ln(\frac{r}{r_1})}{\ln(\frac{r_2}{r_1})} (T_1 - T_2) + T_2 \quad (3)$$

۲۸- صفحه‌ای به ضخامت ۴ سانتی‌متر که ابتدا در دمای ۲۵ درجه سانتی‌گراد است، در یک کوره با دمای ۴۰۰ درجه سانتی‌گراد قرار داده می‌شود. ضخامت صفحه در مقایسه با ابعاد دیگر آن خیلی کوچک است. اگر ضریب انتقال حرارت جابه‌جایی  $120 \frac{W}{m^2 \cdot ^{\circ}C}$  باشد، دمای سطح صفحه بعد از ۶ دقیقه به کدام مورد نزدیک‌تر است؟ (عدد پیر

(e) را برابر ۲/۵ در نظر بگیرید. خواص فیزیکی متوسط صفحه عبارت‌اند از:  $C_p = 900 \frac{J}{kgK}$  و

$$(\rho = 2400 \frac{kg}{m^3} \text{ و } k = 240 \frac{W}{m^{\circ}C})$$

۱۷۵°C (۲)

۱۵۰°C (۱)

۲۶۵°C (۴)

۲۵۰°C (۳)

۲۹- جسمی کرووی شکل به قطر ۴ میلی‌متر با عایقی به ضخامت ۱ میلی‌متر پوشیده شده است. این جسم کرووی در محیطی با ضریب انتقال حرارت جابه‌جایی  $h = 20 \frac{W}{m^2 \cdot ^\circ C}$  قرار گرفته است. با صرف‌نظر کردن از تأثیر تشعشع،

کدام مورد در خصوص عایق جسم درست است؟  $(k = 0.13 \frac{W}{mK})$

(۱) با کاهش ضخامت عایق در این شرایط نرخ انتقال حرارت افزایش می‌یابد.

(۲) با افزایش ضخامت عایق در این شرایط، نرخ انتقال حرارت افزایش می‌یابد.

(۳) با افزایش ضخامت عایق در این شرایط، نرخ انتقال حرارت تغییر چندانی نمی‌کند.

(۴) با افزایش ضخامت عایق در این شرایط، میزان انتقال حرارت از جسم کرووی کاهش می‌یابد.

۳۰- در جریان آرام از روی صفحه تخت با دمای ثابت در سیالات معمولی، نحوه تغییرات نسبت ضخامت لایه مرزی حرارتی  $(\delta_T)$  به ضخامت لایه مرزی هیدرودینامیکی  $(\delta)$  با ضریب هدایت حرارتی سیال  $(k)$  چگونه است؟

$$(1) \frac{1}{k^2}$$

$$(2) \frac{1}{k^2}$$

$$(3) \frac{1}{k^3}$$

$$(4) \frac{1}{k^3}$$

۳۱- در انتقال حرارت جابه‌جایی سیال از روی یک صفحه افقی صاف، ضریب انتقال حرارت جابه‌جایی موضعی  $h_x$  با طول صفحه چگونه تغییر می‌کند؟

(۱) در ناحیه جریان آرام کاهش می‌یابد، در ناحیه گذرا افزایش می‌یابد و در ناحیه متلاطم کاهش می‌یابد.

(۲) در ناحیه جریان آرام کاهش می‌یابد، در ناحیه گذرا کاهش می‌یابد و در ناحیه متلاطم کاهش می‌یابد.

(۳) در ناحیه جریان آرام کاهش می‌یابد، در ناحیه گذرا افزایش می‌یابد و در ناحیه متلاطم افزایش می‌یابد.

(۴) در ناحیه جریان آرام افزایش می‌یابد، در ناحیه گذرا کاهش می‌یابد و در ناحیه متلاطم افزایش می‌یابد.

۳۲- در جابه‌جایی آزاد از روی یک صفحه عمودی رابطه عدد ناسلت به صورت  $Nu_x = 0.5(Ra_x)^{\frac{1}{4}}$  است. اگر مقدار عدد رایلی در ۱ متری از لبه دیواره معادل ۸۱ باشد، مقدار ضریب انتقال حرارت جابه‌جایی متوسط در طول ۱ متری

از لبه دیواره بر حسب ضریب هدایت حرارتی سیال  $(k)$  چند است؟  $(Ra = \frac{g\beta\Delta T x^3}{\nu\alpha})$

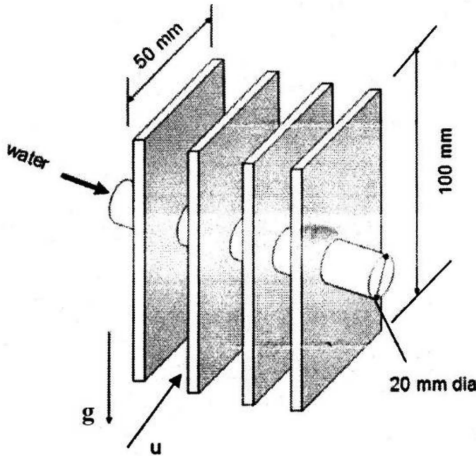
$$(1) \frac{6k}{7}$$

$$(2) k$$

$$(3) \frac{3k}{2}$$

$$(4) 2k$$

۳۳- تصویر نشان داده شده، قسمتی از لوله‌های یک مبدل حرارتی را نشان می‌دهد. آب داغ با دمای  $47^{\circ}\text{C}$  از داخل لوله‌های با قطر  $20\text{ mm}$  عبور می‌کند و توسط پره‌ها خنک می‌شود. گرمای آب داغ به محیط اطراف با دمای  $27^{\circ}\text{C}$  منتقل می‌شود. اگر هوا با سرعت  $1\frac{\text{m}}{\text{s}}$  در جهت نشان داده شده در شکل (u) از فضای بین پره‌ها عبور کند، برای محاسبه حرارت خروجی از سیستم، کدام عبارت درست است؟  $(g = 10\frac{\text{m}}{\text{s}^2})$



$$Gr = \frac{g\beta\Delta T x^3}{\nu^2}$$

$$1\frac{\text{kg}}{\text{m}^3} = \text{دانسیتة هوا}$$

$$1000\frac{\text{kg}}{\text{m}^3} = \text{دانسیتة آب}$$

$$10^{-5}\frac{\text{kg}}{\text{m}\cdot\text{s}} = \text{ویسکوزیته هوا}$$

$$10^{-4}\frac{\text{kg}}{\text{m}\cdot\text{s}} = \text{ویسکوزیته آب}$$

- (۱) فقط اثر مرتبط با انتقال حرارت جابه‌جایی آزاد می‌تواند در محاسبه حرارت خروجی لحاظ شود.
- (۲) فقط اثر مرتبط با انتقال حرارت جابه‌جایی اجباری می‌تواند در محاسبه حرارت خروجی لحاظ شود.
- (۳) هر دو اثر مرتبط با انتقال حرارت جابه‌جایی اجباری و جابه‌جایی آزاد در محاسبه حرارت خروجی باید لحاظ شود.
- (۴) با اطلاعات داده شده نمی‌توان اظهار نظر نمود.

۳۴- در یک مبدل گرمایی دو لوله‌ای، مقدار انتقال گرما با گذشت یک سال از کارکرد آن (به دلیل رسوب گرفتگی)، در حدود ۲۵ درصد کاهش می‌یابد. نسبت ضریب کلی انتقال حرارت مبدل در حالت کثیف (کارکرد یک ساله) به حالت تمیز کدام است؟

- (۱) ۱  
(۲) ۰/۷۵  
(۳) ۰/۵  
(۴) ۰/۲۵

۳۵- در شرایط فشار اتمسفریک، آب در یک قهوه‌ساز توسط یک المان حرارتی استوانه‌ای شکل افقی با قطر ۵ میلی‌متر به جوش آورده می‌شود. مقدار آب درون قهوه‌ساز در ابتدا یک لیتر است. زمانی که فرایند جوشش آغاز می‌شود، نصف آب موجود در قهوه‌ساز در عرض ۲۵ دقیقه تبخیر می‌شود. اگر شار حرارتی حاصل از فرایند جوشش  $25\frac{\text{kW}}{\text{m}^2}$  باشد، طول

المان حرارتی چند سانتی‌متر است؟ (عدد  $\pi$  را برابر ۳، دانسیته آب را  $1\frac{\text{kg}}{\text{lit}}$  و گرمای نهان تبخیر آب را  $2250\frac{\text{kJ}}{\text{kg}}$

در نظر بگیرید.)

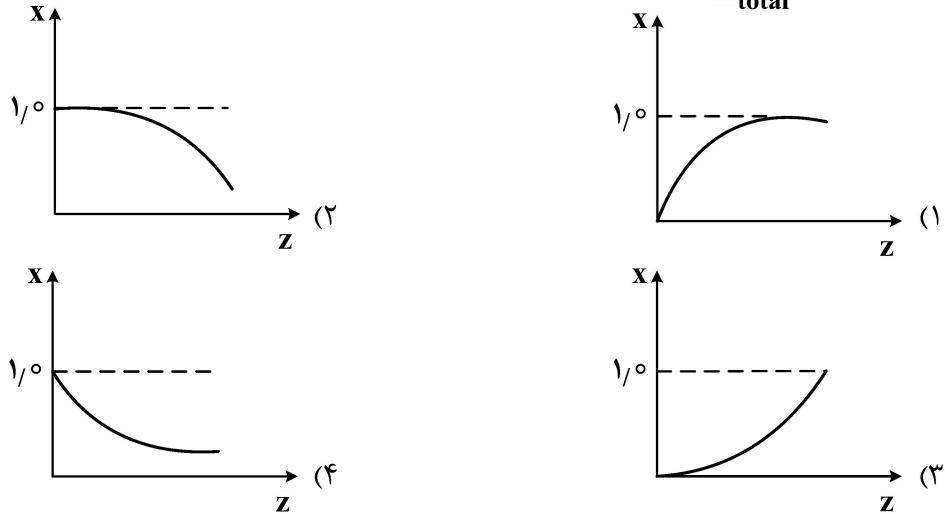
- (۱) ۲۵  
(۲) ۲۰  
(۳) ۱۵  
(۴) ۱۲

۳۶- در میعان فیلمی بر روی یک لوله، کدام خاصیت فیزیکی در دمای فیلمی خوانده نمی‌شود؟

- (۱) گرمای نهان تبخیر مایع ( $h_{fg}$ )  
(۲) هدایت حرارتی مایع ( $k_l$ )  
(۳) ویسکوزیته مایع ( $\mu_l$ )  
(۴) دانسیته مایع ( $\rho_l$ )

۳۷- در میعان بخار آب در داخل یک لوله افقی با دیواره سرد با سرعت بخار زیاد، کدام منحنی، شکل تقریبی نیمرخ

کیفیت بخار ( $x = \frac{\dot{m}_v}{\dot{m}_{total}}$ ) بر حسب طول لوله ( $z$ ) را نشان می‌دهد؟



۳۸- در مبدل دو لوله‌ای از نوع جریان غیرهم جهت، رابطه effectiveness یا  $\epsilon$  به صورت زیر است. اگر نرخ ظرفیت حرارتی

(heat capacity Rate) هر دو سیال مساوی باشد؛ مقدار  $\epsilon$  برابر کدام مورد است؟

$$\epsilon = \frac{1 - \exp[-NTU(1-c)]}{1 - c \exp[-NTU(1-c)]} \quad C = \text{Capacity ratio}$$

$$\frac{NTU}{1+NTU} \quad (1)$$

$$\frac{NTU}{1-NTU} \quad (2)$$

$$\frac{1+NTU}{NTU} \quad (3)$$

$$\frac{1-NTU}{NTU} \quad (4)$$

۳۹- صفحه جامد غیرشفاف که دارای ضریب بازتاب  $\rho = 0.4$  است، در معرض انرژی تابشی برابر با  $5 \frac{W}{m^2}$  قرار دارد.

دمای تعادلی صفحه  $30^\circ C$  و دمای محیط  $20^\circ C$  است. ضریب انتقال حرارت بین صفحه و محیط چقدر است؟

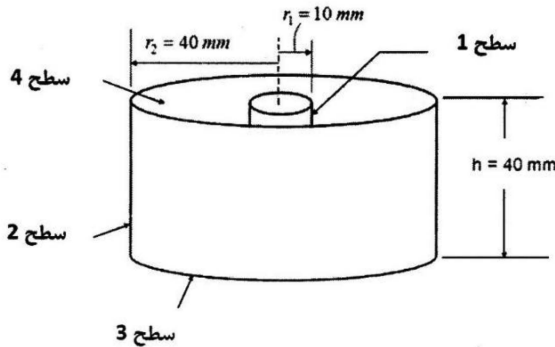
$$10 \quad (1)$$

$$5 \quad (2)$$

$$0.5 \quad (3)$$

$$0.3 \quad (4)$$

۴۰- در شکل نشان داده شده، گازهای حاصل از احتراق، از لوله داخلی (سطح ۱) به شعاع ۱۰ میلی‌متر در حال عبور هستند و لوله بزرگتر به شعاع ۴۰ میلی‌متر (سطح ۲) این لوله را در بر گرفته است. فاصله بین دو لوله با یک صفحه دیسکی شکل (سطح ۳) از پایین بسته شده است، اما فضای بین دو لوله (سطح ۴) از سمت بالا باز است. اگر ضریب شکل  $F_{p1} = 0.1$  باشد، مقدار ضریب شکل  $F_{p1}$  چقدر است؟



- (۱) ۰/۱۶
- (۲) ۰/۳
- (۳) ۰/۴
- (۴) ۰/۶

ترمودینامیک:

۴۱- جریانی به شدت ۴ و آنتالپی ۵ به طور کاملاً یکنواخت یا پایدار (SSSF)، با جریان دیگری به شدت ۶ و آنتالپی ۸، در یک مخزن اختلاط مخلوط می‌شود. اگر مخزن دارای همزنی با توان مصرفی ۶ باشد و شدت انتقال حرارت از محیط به مخزن نیز برابر ۶ باشد، آنتالپی جریان خروجی کدام است؟ (واحدها همه هماهنگ و اختیاری است.)

- (۱) ۵۶
- (۲) ۱۲
- (۳) ۸
- (۴) ۶/۸

۴۲- درون یک سیلندر و پیستون، ۱۰ پاند جرم گاز واقعی در حالت تعادل قرار دارد. برای بلند کردن پیستون به همراه

وزنه روی آن  $2000 \frac{\text{lb}_f}{\text{ft}^2}$  فشار نیاز است. حجم اولیه سیلندر ۲ فوت مکعب و انرژی داخلی مخصوص گاز در حالت

اولیه برابر  $10^4 \frac{\text{ft} - \text{lb}_f}{\text{lb}}$  است. به آرامی بسیار به این گاز گرما می‌دهیم تا به حجم ثانویه ۱۲ فوت مکعب برسد. اگر

انرژی داخلی مخصوص در حالت ثانویه برابر  $2 \times 10^4 \frac{\text{ft} - \text{lb}_f}{\text{lb}}$  باشد، گرمای داده شده به این گاز چند  $\text{ft} - \text{lb}_f$

بوده است؟

- (۱) ۳۰۰۰۰
- (۲) ۸۰۰۰۰
- (۳) ۱۰۰۰۰۰
- (۴) ۱۲۰۰۰۰

۴۳- یک گاز کامل، یک تحول چندشکل بازگشت پذیر (پلی تروپیک رورسیبل) فرضی را طی می‌کند که در آن شاخص

(توان یا نماینده) تحول ۱/۵ است. اگر دمای اولیه  $500\text{K}$  و دمای نهایی  $300\text{K}$  باشد، مقدار کار به دست آمده

چند کیلوژول بر کیلوگرم است؟  $(R = 0.5 \frac{\text{kJ}}{\text{kg K}})$

- (۱) ۱۰۰
- (۲) ۲۰۰
- (۳) ۴۰۰

(۴) با این معلومات قابل محاسبه نیست.

۴۴- در داخل یک سیلندر و پیستون بدون اصطکاک، دو گرم مول کلرور آمونیوم ( $\text{NH}_4\text{Cl}$ ) جامد در دمای  $500\text{K}$  قرار دارد و فشار وارد بر آن از طرف پیستون برابر یک اتمسفر است. با آهستگی بسیار آمونیوم کلرید را با دادن گرما در دمای ثابت  $500\text{K}$  تجزیه می‌کنیم تا آمونیاک گازی و  $\text{HCl}$  گازی تشکیل شود. مقدار کار انجام شده برای

این تحول، به‌طور تقریبی چند کیلوژول است؟  $(R = 8 \frac{\text{kJ}}{\text{mol K}})$

- (۱) ۸  
(۲) ۱۶  
(۳) ۳۲  
(۴) ۱۶۰۰۰

۴۵- آب از ارتفاع  $100$  متری وارد یک توربین آبی می‌شود. اگر راندمان (بازده) تبدیل انرژی پتانسیل به انرژی الکتریکی  $80$  درصد باشد و برای انتقال جریان الکتریکی به محل مصرف،  $10$  درصد افت داشته باشیم، برای روشن نگهداشتن یک لامپ

هفتصد و بیست واتی، چند کیلوگرم بر دقیقه آب باید وارد توربین شود؟  $(g = 10 \frac{\text{m}}{\text{s}^2})$

- (۱) ۱  
(۲) ۱۰  
(۳) ۶۰  
(۴) ۱۲۰

۴۶- در داخل سیلندری در زیر یک پیستون بدون اصطکاک، یک مول کلرور آمونیوم (نوشادر جامد) در  $600\text{K}$  قرار دارد و فشار وارد بر آن از طرف پیستون برابر یک اتمسفر است. با آهستگی بسیار، آمونیوم کلرید را با دادن گرما در دمای ثابت  $600\text{K}$  تجزیه می‌کنیم تا آمونیاک گازی و  $\text{HCl}$  گازی تشکیل شود. مقدار کل گرما برای تجزیه کامل این یک مول  $\text{NH}_4\text{Cl}$  تقریباً برابر  $180$  کیلوژول است.  $\Delta U$  برای این تحول شیمیایی به‌طور تقریبی چند

کیلوژول است؟  $(R = 8 \frac{\text{J}}{\text{mole K}})$

- (۱)  $170.4$   
(۲)  $175.7$   
(۳)  $180$   
(۴)  $189.6$

۴۷- عبارت  $(\frac{\partial C_p}{\partial P})_T$ ، با کدام گزینه برابر است؟

(۱)  $-T(\frac{\partial^2 V}{\partial T^2})_P$   
(۲)  $-\frac{1}{T}(\frac{\partial^2 V}{\partial T^2})_P$   
(۳)  $-\frac{T}{P}(\frac{\partial^2 V}{\partial T^2})_P$   
(۴)  $-P(\frac{\partial^2 V}{\partial T^2})_P$

۴۸- یک مخلوط دوجزئی شامل اجزای (۱) و (۲) را در نظر بگیرید. فرض کنید این مخلوط از معادله حالت زیر پیروی می‌کند که در آن  $A$  و  $B$  فقط تابعی از دما هستند. ضریب فوگاسیته جزء (۱) از کدام عبارت زیر پیروی می‌کند؟

$PV = RT + P^2 [A(y_1 - y_2) + B]$

(۱)  $\ln \hat{\phi}_1 = -\frac{(A+B)P}{RT}$   
(۲)  $\ln \hat{\phi}_1 = \frac{(A-B)P}{RT}$   
(۳)  $\ln \hat{\phi}_1 = \frac{(B-A)P}{RT}$   
(۴)  $\ln \hat{\phi}_1 = \frac{(A+B)P}{RT}$

۴۹- اگر در دمای ثابت، فشار یک گاز واقعی خالص به سمت صفر میل کند، کدام عبارت در مورد آن درست خواهد بود؟

- (۱) آنتالپی آن با آنتالپی گاز کامل برابر خواهد شد.  
(۲) آنتروپی آن از آنتروپی گاز کامل بزرگتر خواهد شد.  
(۳) همه خواص آن با خواص گاز کامل برابر خواهد شد.  
(۴) حجم مخصوص آن از حجم مخصوص گاز کامل کمتر خواهد بود.



۵۰- انرژی آزاد گیبس برای یک سیستم مشخص، به صورت زیر نوشته می شود. مقدار  $C_p$  کدام است؟ (a) یک مقدار ثابت است.

$$G(T, P) = RT \ln \left[ \frac{aP}{(RT)^{\frac{5}{2}}} \right]$$

$$\frac{3}{2}R \quad (1) \qquad \frac{4}{2}R \quad (2)$$

$$\frac{5}{2}R \quad (3) \qquad \frac{7}{2}R \quad (4)$$

۵۱- در رابطه با فوگاسیته مایع کمپرس (متراکم یا فشرده) و فوگاسیته مایع اشباع یک ماده خالص در دمای یکسان، کدام عبارت درست است؟

- (۱) همیشه فوگاسیته مایع کمپرس تقریباً با فوگاسیته مایع اشباع متناظر با دمایش، برابر است.
- (۲) فوگاسیته مایع کمپرس ممکن است از فوگاسیته مایع اشباع خیلی بزرگتر باشد.
- (۳) فوگاسیته مایع اشباع همیشه کمی از فوگاسیته مایع کمپرس بزرگتر است.
- (۴) فوگاسیته مایع کمپرس خیلی از فوگاسیته مایع اشباع کوچکتر است.

۵۲- برای یک مخلوط دوجزئی در دما و فشار ثابت، رابطه زیر برقرار است. اگر  $\bar{V}_1^\infty = 20$  باشد، مقدار  $V_1$  چقدر است؟

$$\bar{V}_1 = 2x_1^3 - 3x_1^2 + 20$$

(۱) ۲۲

(۲) ۲۰

(۳) ۱۸

(۴) ۱۶

۵۳- آنتالپی های مولی خالص اجزای (۱) و (۲) در یک مخلوط دوجزئی به ترتیب  $\frac{J}{mol}$  ۲۰۰ و  $\frac{J}{mol}$  ۳۵۰ است. در دما و فشار ثابت  $\bar{H}_1$  به صورت رابطه زیر داده شده است. مقدار عبارت آنتالپی مخلوط ( $H_{mix}$ )، کدام است؟

$$\bar{H}_1 = 200 + 40x_2 \left[ \frac{J}{mol} \right]$$

$$H_{mix} = 350 + 150x_1 - 40x_1x_2 \quad (1)$$

$$H_{mix} = 350 + 150x_1 + 40x_1x_2 \quad (2)$$

$$H_{mix} = 350 - 150x_1 - 40x_1x_2 \quad (3)$$

$$H_{mix} = 350 - 150x_1 + 40x_1x_2 \quad (4)$$

۵۴- در یک سیستم مایع بخار تعادلی دوجزئی، متشکل از یک مول مخلوط (یعنی یک مول کل مخلوط در دو فاز مایع و بخار)،  $x_1 = 0.2$  و  $y_1 = 0.3$  است. در صورتی که مقدار فاز مایع  $0.4$  مول باشد، در کل مخلوط چند مول از سازنده دوم وجود دارد؟

(۱) ۰/۲۶

(۲) ۰/۳۶

(۳) ۰/۶۴

(۴) ۰/۷۴

۵۵- گازی از معادله حالت زیر پیروی می کند که در آن  $b(T) = b_0 + b_1 T$  است. مقدار  $H^R$  (آنتالپی باقیمانده) کدام است؟

$$V = \frac{RT}{P} + b(T), \quad H^R = \Delta H' = H - H^{ig}$$

$$H^R = b_0 P \quad (1) \qquad H^R = \frac{1}{2} b_0 P \quad (2)$$

$$H^R = -\frac{1}{2} b_0 P \quad (3) \qquad H^R = -b_0 P \quad (4)$$

۵۶- برای یک مخلوط چهارجزئی گازی با تعداد مول‌های مساوی از گازهای مختلف،

مقدار  $\ln \phi$  به طور تقریبی چقدر است؟  $\hat{\phi}_1 = 0.5, \hat{\phi}_2 = 0.7, \hat{\phi}_3 = 0.8, \hat{\phi}_4 = 0.9$

$$\ln 2 = 0.7, \ln 0.5 = -0.7, \ln 0.7 = -0.36, \ln 5 = 1.6$$

$$-0.35 \quad (1) \qquad -0.45 \quad (2)$$

$$-0.65 \quad (3) \qquad -0.75 \quad (4)$$

۵۷- برای یک سیستم دوجزئی مایع - بخار (VLE) در فشار نه‌چندان زیاد،  $P_1^{sat} = 1 \text{ atm}$  و  $P_2^{sat} = 0.5 \text{ atm}$

است. اگر  $x_1 = 0.4$  باشد، فشار سیستم به طور تقریبی چند اتمسفر است؟  $\frac{G^E}{RT} = 0.1 x_1 x_2$

$$e^x = 1 + x + \frac{x^2}{2!} + \dots$$

$$0.66 \quad (1)$$

$$0.72 \quad (2)$$

$$0.82 \quad (3)$$

$$0.88 \quad (4)$$

۵۸- فشار جزئی جزء (۱) در فاز بخار برای یک محلول دوجزئی (برحسب bar) از رابطه زیر به دست می آید. نسبت

کدام است؟  $\left( \frac{H_{1,2}}{P_1^{sat}} \right)$  ثابت هنری جزء ۱ است.

$$P_1 = \Delta x_1 e^{x_2^2 + \frac{1}{2} x_2^3}$$

$$e^{\frac{1}{2}} \quad (1) \qquad e^{\frac{2}{3}} \quad (2)$$

$$e^1 \quad (3) \qquad e^{\frac{2}{2}} \quad (4)$$

۵۹- فوگاسیته یک گاز مشخص از رابطه زیر به دست می آید. مقدار عبارت  $H - H^\circ$  کدام است؟  $H$  و  $H^\circ$  به ترتیب

آنتالپی گاز در حالت حقیقی و ایده آل است و  $\alpha$  تابعی از دما است.

$$f = P + \alpha P^2$$

$$-\frac{1}{2} \frac{RT^2 P}{1 + \alpha P} \left( \frac{d\alpha}{dT} \right) \quad (1) \qquad +\frac{1}{2} \frac{RT^2 P}{1 + \alpha P} \left( \frac{d\alpha}{dT} \right) \quad (2)$$

$$-\frac{RT^2 P}{1 + \alpha P} \left( \frac{d\alpha}{dT} \right) \quad (3) \qquad +\frac{RT^2 P}{1 + \alpha P} \left( \frac{d\alpha}{dT} \right) \quad (4)$$

۶۰- برای یک مخلوط دوجزئی، مقدار مشتق  $(\frac{\partial G}{\partial x_1})_{T, P}$  کدام است؟ (G انرژی گیبس مولی مخلوط است).

$\mu_1$  (۲)

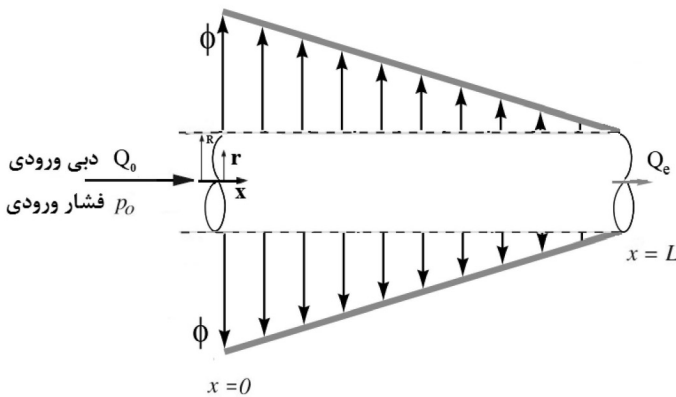
$\mu_1 - \mu_2$  (۱)

$\mu_2$  (۴)

$\mu_1 + \mu_2$  (۳)

مکانیک سیالات:

۶۱- جریان آرام سیال تراکم‌ناپذیری مطابق شکل، داخل لوله‌ای افقی با دیواره متخلخل و به شعاع R، با اعمال گرادیان فشار محوری به صورت پایا حرکت می‌کند. سیال با توزیع سرعت خطی در طول لوله از دیواره خارج می‌شود. دبی حجمی خروجی از لوله کدام است؟



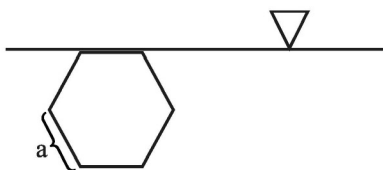
$(Q_0 - \frac{\pi\phi RL}{2})$  (۱)

$(Q_0 - \pi\phi RL)$  (۲)

$(Q_0 - 2\pi\phi RL)$  (۳)

$(Q_0 - 4\pi\phi RL)$  (۴)

۶۲- دریچه‌ای به شکل ۶ ضلعی منتظم (به طول ضلع a) در مقابل سیال با وزن ویژه  $\gamma$  قرار گرفته است. نیروی وارده بر دریچه چقدر است؟



$\frac{3}{2}\gamma a^3$  (۲)

$\frac{9}{4}\gamma a^3$  (۱)

$\frac{3}{2}\gamma a^2$  (۴)

$\frac{9}{4}\gamma a^2$  (۳)

۶۳- اگر شار جرمی جریان آرام روغن با دانسیته مخصوص ۰/۶۶ برابر ۱ کیلوگرم بر ثانیه و شعاع لوله ۱ سانتی‌متر باشد، سرعت محوری لوله بر حسب متر بر ثانیه چقدر است؟ ( $\pi = 3$ )

۱/۵ (۲)

۲ (۱)

۰/۵ (۴)

۱ (۳)

۶۴- پمپی ۲ متر بالاتر از سطح استخر قرار گرفته و در هر ساعت ۳۶ متر مکعب از آب داخل استخر را به تانکی که ۱۷ متر از سطح استخر بالاتر است، منتقل می‌کند. اگر تلفات اصطکاکی ۳ متر و بازده پمپ ۵۰ درصد باشد، توان مورد نیاز پمپ چند کیلووات است؟ ( $g = 10 \frac{m}{s^2}$  و  $\rho = 1000 \frac{kg}{m^3}$ )

۴ (۲)

۵ (۱)

۲ (۴)

۳ (۳)

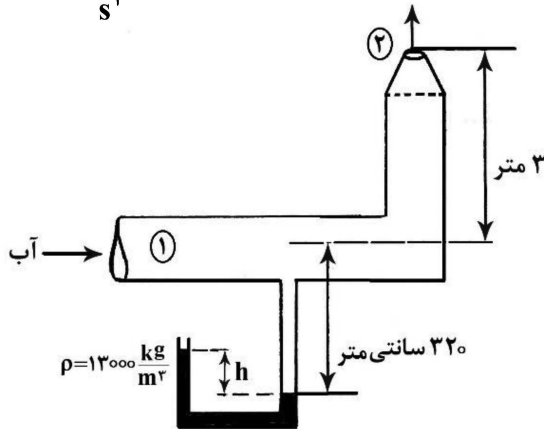
۶۵- یک مخزن با سطح مقطع ثابت  $100\text{m}^2$  را در نظر بگیرید. برای خارج کردن آب از مخزن دریچه‌ای در کف با سطح مقطع  $2\text{m}^2$  باز می‌شود. اگر در ابتدا  $10\text{m}$  آب در داخل مخزن قرار گرفته باشد، ۱۵ ثانیه پس از باز کردن دریچه،

ارتفاع سطح آب مخزن به کدام عدد نزدیک‌تر است؟  $(g = 10 \frac{\text{m}}{\text{s}^2})$

- (۱) ۳
- (۲) ۴
- (۳) ۶
- (۴) ۷

۶۶- با توجه به شکل، در خروجی از مقطع (۲) آب از لوله به بیرون می‌ریزد. اگر دهانه خروجی  $0.4$  دهانه ورودی و

سرعت آب ورودی  $4 \frac{\text{m}}{\text{s}}$  باشد و از افت انرژی صرف‌نظر شود، ارتفاع  $h$  به کدام مورد نزدیک‌تر است؟  $(g = 10 \frac{\text{m}}{\text{s}^2})$

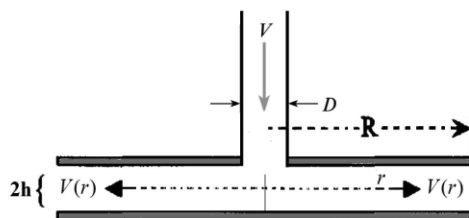


- (۱) ۶۵ سانتی‌متر
- (۲) ۷۵ سانتی‌متر
- (۳) ۸۲ سانتی‌متر
- (۴) ۹۰ سانتی‌متر

۶۷- یک سیال نیوتنی به صورت آرام با ویسکوزیته  $(\mu_1)$  بر روی سطح شیب‌داری، به صورت توسعه یافته جریان دارد. اگر این سیال با سیال نیوتنی دیگری با چگالی یکسان ولی با ویسکوزیته ۸ برابر  $(\mu_2 = 8\mu_1)$  جایگزین شود، برای داشتن دبی یکسانی بر روی سطح شیب‌دار، نسبت ضخامت مایع جدید به مایع قبلی چقدر باید باشد؟

- (۱) ۲
- (۲) ۴
- (۳) ۸
- (۴) ۱۶

۶۸- سیال تراکم‌ناپذیر و غیرویسکوزی مطابق شکل، با سرعت  $V$  از طریق لوله‌ای به قطر  $D$  به فضای بین دو دیسک موازی به شعاع  $R$  وارد شده و به صورت شعاعی با سرعت  $V(r)$  خارج می‌شود. اگر فاصله بین دو دیسک برابر قطر لوله باشد  $(D = 2h)$ ، کدام گزینه برای توزیع سرعت  $V(r)$  درست است؟



- (۱)  $\frac{Vh}{r^2}$
- (۲)  $\frac{Vh}{\lambda r}$
- (۳)  $\frac{Vh}{4r}$
- (۴)  $\frac{Vh}{2r}$

۶۹- برای جریان پایا و آرام سیال بین دو صفحه موازی، پروفایل سرعت به صورت سهمی است. تنش برشی در خط مرکز فاصله بین دو صفحه چطور رفتار می کند؟

(۱) صفر است. (۲) منفی است.

(۳) مثبت است. (۴) برابر با تنش دیواره است.

۷۰- تانک آب سربازی به ارتفاع ۱ m، با شتاب  $a_y$  روبه پایین سقوط می کند. فشارسنجی که به کف مخزن متصل شده

عدد  $5 \text{ kPa}$  را نشان می دهد. مقدار  $a_y$  چند برابر  $g$  است؟  $(\gamma_w = 10 \frac{\text{kN}}{\text{m}^3})$

(۱) ۴ (۲) ۳

(۳) ۱ (۴) ۰/۵

۷۱- برای کانالیست های استوانه ای شکل با قطر ۴ سانتی متر و ارتفاع ۹ سانتی متر، ضریب کرویت چقدر است؟

(۱)  $\frac{1}{3}$  (۲)  $\frac{2}{3}$

(۳)  $\frac{2}{11}$  (۴)  $\frac{9}{11}$

۷۲- عدد رینولدز برای جریان گذرنده از یک کانال با مقطع مثلث متساوی الاضلاع با طول ضلع  $a$ ، کدام است؟

(۱)  $\frac{\rho u a}{3\mu}$

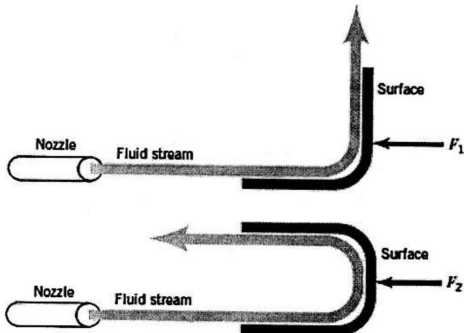
(۲)  $\frac{\rho u a}{\sqrt{3}\mu}$

(۳)  $\frac{\rho u a}{\mu}$

(۴)  $\frac{\sqrt{3} \rho u a}{\mu}$

۷۳- دو جت سیال، به سطوحی که در شکل نشان داده شده اند برخورد می کنند. جریان تراکم ناپذیر است و اثرات جاذبه قابل صرف نظر کردن است. دبی جرمی و سرعت جت ها یکسان است و سطح مقطع جت ها با حرکت سیال تغییر

نمی کند. نیروی افقی وارد بر سطوح کدام است؟



(۱)  $F_1 = \frac{1}{2} F_2$

(۲)  $F_1 = F_2$

(۳)  $F_1 = 2 F_2$

(۴)  $F_1 = 4 F_2$

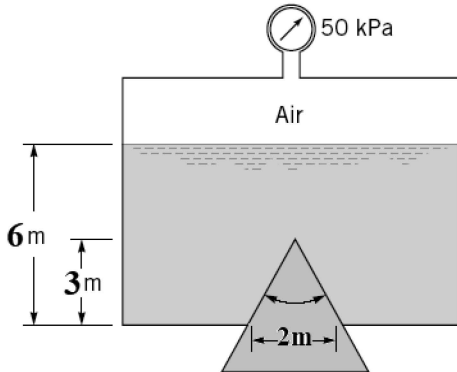
۷۴- عدد رینولدز در خط لوله ای به طول ۵۰۰ متر و قطر ۲ سانتی متر که افت فشار دو سر این خط لوله برای جریان آرام برابر ۱۰۰ پاسکال است، چقدر است؟

$\rho = 500 \frac{\text{kg}}{\text{m}^3}$  ,  $\mu = 10^{-3} \text{ Pa.s}$

(۱) ۱۵۰ (۲) ۱۰۰

(۳) ۵۰ (۴) ۲۵

۷۵- یک چوب مخروطی شکل در روزنه‌ای به قطر دو متر ته مخزن تحت فشاری همانند شکل زیر، جاسازی شده است. فشار هوای بالای مایع ۵۰ kPa و وزن مخصوص مایع  $10 \frac{kN}{m^3}$  است. نیروی هیدرواستاتیکی وارده بر سطح



مخروط چند کیلو نیوتن است؟ ( $\pi = 3$ )

- (۱) ۴۵۰
- (۲) ۳۰۰
- (۳) ۱۷۵
- (۴) ۱۰۰

کنترل فرایند:

۷۶- بهره پایای سیستم با تابع انتقال  $G(s) = \frac{1}{2s+3}$ ، چند است؟

- (۱) ۲
- (۲) ۱
- (۳)  $\frac{1}{2}$
- (۴)  $\frac{1}{3}$

۷۷- تابع انتقال سیستم درجه ۲ به شکل زیر است. فاکتور میرایی این سیستم چه قدر است؟

$$G(s) = \frac{1}{0.5s^2 + 8s + 2}$$

- (۱) ۴
- (۲)  $4\sqrt{2}$
- (۳) ۸
- (۴)  $8\sqrt{2}$

۷۸- مقدار نهایی پاسخ سیستم با تابع انتقال  $G(s)$  به ورودی پله واحد، چند است؟

$$G(s) = \frac{(s+1)}{(s+3)(s-2)}$$

- (۱)  $-\frac{1}{6}$
- (۲) صفر
- (۳) ۱
- (۴) مقدار نهایی ندارد.

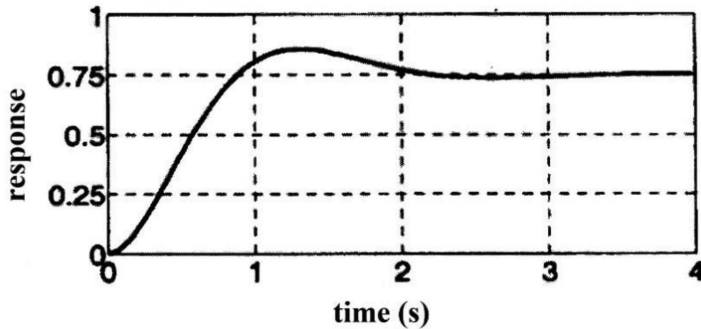
۷۹- تابع انتقال فرایندی به صورت  $G(s) = \frac{2s-1}{4s+3}$  است. در اولین لحظه، درست پس از اعمال ورودی پله‌ای واحد،

مقدار پاسخ فرایند چقدر است؟

- (۱)  $-\frac{1}{3}$
- (۲)  $\frac{1}{2}$
- (۳) -۲
- (۴) صفر

۸۰- پاسخ یک سیستم مدار بسته با تابع انتقال مدار باز به صورت  $\frac{K}{(s+1)(s+2)}$  به تغییر پله‌ای واحد در مقدار مقرر،

در شکل زیر نشان داده شده است. مقدار  $K$  کدام است؟



- (۱) ۶
- (۲) ۴
- (۳) ۲
- (۴) ۰/۵

۸۱- اختلاف فاز سیستم مدار باز  $G(s)$ ، به ازای فرکانس‌های بالا ( $\omega \rightarrow \infty$ ) چقدر است؟

$$G(s) = \frac{10(s+1)}{s^2(s^2+s+2)}$$

- (۱)  $-90^\circ$
- (۲)  $-180^\circ$
- (۳)  $-270^\circ$
- (۴)  $-360^\circ$

۸۲- بهره‌نهایی کنترلر تناسبی ( $K_{cu}$ ) در سیستم مدار بسته‌ای، ۱۰ است. حاشیه بهره (GM)، به ازای چه مقدار از بهره کنترلر تناسبی، ۲ می‌شود؟

- (۱)  $\frac{1}{5}$
- (۲) ۵
- (۳)  $\frac{1}{20}$
- (۴) ۲۰

۸۳- کدام یک از گزینه‌های زیر در ارتباط با تأثیر کیفی پارامترهای کنترلر تناسبی — انتگرالی با تابع انتقال

$$G_C(s) = K_c \left(1 + \frac{1}{\tau_I s}\right)$$

- (۱) با افزایش  $K_c$  و افزایش  $\tau_I$ ، پاسخ مدار بسته نوسانی‌تر می‌شود.
- (۲) با افزایش  $K_c$  و کاهش  $\tau_I$ ، پاسخ مدار بسته نوسانی‌تر می‌شود.
- (۳) با کاهش  $K_c$  و کاهش  $\tau_I$ ، پاسخ مدار بسته کندتر می‌شود.
- (۴) با افزایش  $K_c$  و کاهش  $\tau_I$ ، پاسخ مدار بسته کندتر می‌شود.

۸۴- تابع مدار باز یک سیستم کنترل بدون احتساب سنسور، به صورت  $\frac{k}{s(s+1)}$  است. چنانچه سنسور اندازه‌گیری

متغیر کنترل‌شونده ۳ ثانیه تأخیر داشته باشد، شکل تابع انتقال خروجی سیستم مدار بسته به ورودی مقدار مقرر، کدام است؟

- (۱)  $\frac{k}{1 + \frac{k}{s(s+1)}} e^{-3s}$
- (۲)  $\frac{\frac{k}{s(s+1)} e^{-3s}}{1 + \frac{k}{s(s+1)}}$
- (۳)  $\frac{\frac{k}{s(s+1)}}{1 + \frac{k}{s(s+1)} e^{-3s}}$
- (۴)  $\frac{\frac{k}{s(s+1)} e^{-3s}}{1 + \frac{k}{s(s+1)} e^{-3s}}$

۸۵- خروجی کدام تابع انتقال نسبت به ورودی پله‌ای یکسان، عملاً زودتر به مقدار نهایی خود می‌رسد؟

(۱)  $\frac{0.5}{3s+1}$  (۲)  $\frac{e^{-0.5s}}{2s+1}$  (۳)  $\frac{e^{-s}}{3s+1}$  (۴)  $\frac{2e^{-s}}{2s+1}$

۸۶- تابع انتقال سیستمی به صورت  $G(s) = \frac{Ks(s+1)}{s^2+s+1}$  است. به ازای یک ورودی خطی  $x(t) = t$ ، در صورتی که

- مقدار  $K$  ده درصد افزایش یابد، مقدار نهایی خروجی سیستم چه تغییری خواهد کرد؟  
 (۱) ده درصد افزایش می‌یابد. (۲) بیست درصد کاهش می‌یابد.  
 (۳) بیست درصد افزایش می‌یابد. (۴) تغییری نمی‌کند.

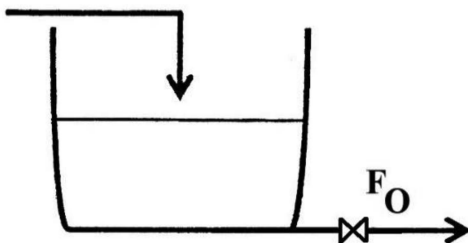
۸۷- تابع انتقال مدار باز یک حلقه کنترل برابر با  $G(s) = K_c \frac{s+3}{s^2-2s+2}$  است. با افزایش بهره کنترل کننده تناسبی

$K_c$ ، رفتار مدار بسته در پاسخ به تغییر پله‌ای در مقدار مقرر چگونه است؟

- (۱) همواره پایدار است.  
 (۲) همواره ناپایدار است.  
 (۳) برای مقادیر پایین بهره، پایدار و در مقادیر بالای بهره، ناپایدار است.  
 (۴) برای مقادیر پایین بهره، ناپایدار و در مقادیر بالای بهره، پایدار است.

۸۸- در فرایند مقابل، چنانچه بخواهیم پس از زمان طولانی دامنه نوسان دبی خروجی زیر ۵ باشد، حداقل ثابت زمانی فرایند چقدر باید باشد؟

$F_i = 2 + 10 \sin(2t)$



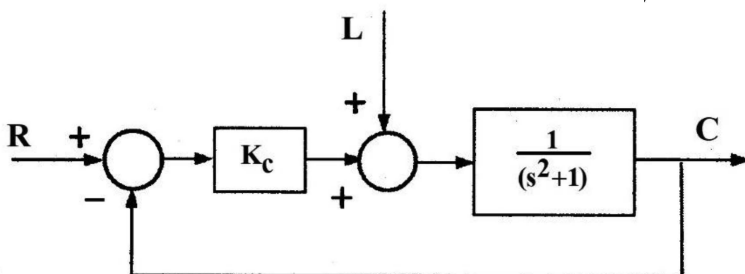
- (۱)  $\frac{\sqrt{3}}{2}$   
 (۲)  $\frac{1}{2}$   
 (۳)  $\frac{\sqrt{3}}{4}$   
 (۴)  $\frac{1}{4}$

۸۹- در یک سامانه تأخیر انتقالی شامل یک لوله با طول  $L$  و قطر  $d$ ، در صورتی که طول لوله نصف شود و بخواهیم در دبی ثابت مایع  $q$  مقدار تأخیر انتقالی را ثابت نگاه داریم، کدام مورد باید انتخاب شود؟

- (۱) قطر را نصف کنیم. (۲) قطر را  $\sqrt{2}$  برابر کنیم.  
 (۳) قطر را ۲ برابر کنیم. (۴) قطر را ۴ برابر کنیم.

۹۰- افت کنترل (قدرمطلق خطای پایا) پاسخ مدار بسته سیستم کنترل شکل زیر به یک تغییر پله‌ای واحد در متغیر بار

(اغتشاش)،  $\frac{1}{4}$  شده است. مقدار بهره کنترل کننده کدام است؟



- (۱) ۲  
 (۲)  $\frac{3}{2}$   
 (۳) ۱  
 (۴)  $\frac{1}{2}$



انتقال جرم و عملیات واحد (۱ و ۲):

۹۱- میزان انتقال جرم اکسیژن از میان لایه‌ای که شامل مخلوط اکسیژن و نیتروژن است، انجام گرفته و در حالتی که فقط اکسیژن انتقال داشته باشد مقدار  $0.05 \text{ mol/s}$  و حالتی که انتقال جرم مساوی و متقابل اکسیژن و نیتروژن باشد، مقدار  $0.04 \text{ mol/s}$  به دست می‌آید. انتقال جرم در اثر پدیده نفوذ مولکولی، چند درصد است؟

$$(1) \quad 12/5 \quad (2) \quad 50$$

$$(3) \quad 80 \quad (4) \quad \text{اطلاعات کافی وجود ندارد.}$$

۹۲- در یک خشک‌کن صنعتی، جریان هوای خشک و داغ با سرعت ظاهری  $u$  از بستری حاوی دانه‌های جامد مرطوب به ارتفاع  $L$  و سطح ویژه  $a$  عبور می‌کند. اگر ضریب انتقال جرم جابه‌جایی  $k_c$  باشد، غلظت رطوبت هوای خروجی از بستر، برابر با کدام مورد خواهد بود؟ ( $P_A^*$  فشار بخار اشباع،  $T$  دما بر حسب کلوین و  $R$  ثابت گاز است. از متوسط حسابی نیروی محرکه استفاده نمایید.)

$$C_{Aout} = \frac{P_A^*}{RT(1 + \frac{u.a.L}{k_c})} \quad (2) \quad C_{Aout} = \frac{P_A^*}{RT(1 + \frac{u}{k_c.a.L})} \quad (1)$$

$$C_{Aout} = \frac{P_A^*}{RT(1 + \frac{k_c.a.L}{2u})} \quad (4) \quad C_{Aout} = \frac{P_A^*}{RT(1 + \frac{u}{2k_c.a.L})} \quad (3)$$

۹۳- یک کره جامد با شعاع  $r$  از جنس نوعی نمک با انحلال پذیری بسیار کم، در آب خالص ساکن، قرار دارد. کدام یک از روابط بیانگر شدت انتقال جرم (مول بر زمان) از سطح این کره خواهد بود؟ ( $C$  چگالی مولی محیط،  $D_{AB}$  ضریب نفوذ و  $X_{AS}$  حلالیت نمک در آب (به صورت جزء وزنی) است.)

$$4\pi CD_{AB} r X_{AS} \quad (2) \quad \frac{4\pi CD_{AB}}{r} \ln \frac{1}{1-X_{AS}} \quad (1)$$

$$4\pi CD_{AB} r^2 X_{AS} \quad (4) \quad \frac{4\pi CD_{AB}}{r^2} \ln \frac{1}{1-X_{AS}} \quad (3)$$

۹۴- برای تصعید نفتالین در گاز مونواکسیدکربن خالص که عمود بر محور استوانه جریان دارد، ضریب انتقال جرم  $k_y$  اندازه‌گیری شده است. استوانه نفتالین را با استوانه مشابهی از جنس نیکل جایگزین کرده و واکنش آبی تولید نیکل کربونیل روی سطح استوانه رخ می‌دهد. نرخ مصرف مونواکسیدکربن به ازای واحد سطح استوانه، به کدام مورد نزدیک تر است؟

$$2k_y \ln 2 \quad (1) \quad 4k_y \ln 4 \quad (2)$$

$$\frac{2}{3}k_y \ln 2 \quad (3) \quad \frac{4}{3}k_y \ln 4 \quad (4)$$

۹۵- در رابطه با وقوع پدیده‌های نامطلوب موجود در برج‌های سینی‌دار، در چه صورت به ترتیب پدیده چکه کردن (Weeping) و پدیده طغیان (Flooding) رخ خواهد داد؟

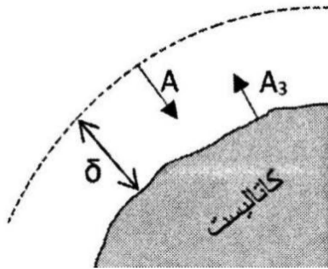
(۱) کم بودن دبی فاز بخار - زیاد بودن دبی فاز بخار و مایع

(۲) کم بودن دبی فاز مایع - کم بودن دبی فاز بخار و مایع

(۳) زیاد بودن دبی فاز بخار - کم بودن دبی فاز بخار و مایع

(۴) زیاد بودن دبی فاز بخار - زیاد بودن دبی فاز بخار و مایع

۹۶- کدام رابطه زیر بیانگر شار انتقال جرم جزء A در یک مخلوط گازی در حالت پایا بر روی سطح یک کاتالیست ناهمگن (واکنش آبی و سریع  $3A \rightarrow A_3$ ) است؟ ( $\delta$  ضخامت فیلم انتقال جرم و  $y_{Ab}$  جزء مولی A در توده گاز است).



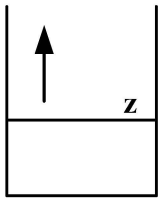
$$+\frac{1}{3} \frac{DP}{RT\delta} \ln \left( 1 - \frac{3}{2} y_{Ab} \right) \quad (1)$$

$$+\frac{1}{3} \frac{DP}{RT\delta} \ln \left( \frac{\frac{3}{2}}{\frac{3}{2} - y_{Ab}} \right) \quad (2)$$

$$-\frac{3}{2} \frac{DP}{RT\delta} \ln \left( 1 - \frac{2}{3} y_{Ab} \right) \quad (3)$$

$$-\frac{3}{2} \frac{DP}{RT\delta} \ln \left( \frac{\frac{2}{3}}{\frac{2}{3} - y_{Ab}} \right) \quad (4)$$

۹۷- تبخیر آب به داخل هوا از یک سطح صاف داخل یک ظرف با سطح مقطع ثابت انتقال جرم و در حالت پایا و یک بعدی را در نظر بگیرید.  $y_A$  غلظت بخار آب در راستای Z و  $N_A$  شار مطلق انتقال جرم است. با فرض ثابت بودن سطح مایع در ظرف، کدام یک از موارد زیر درست است؟



(۱)  $N_A$  و  $dy_A/dz$  ثابت است.

(۲)  $N_A$  و  $dy_A/dz$  ثابت نیست.

(۳)  $N_A$  ثابت نیست اما  $dy_A/dz$  ثابت است.

(۴)  $N_A$  ثابت است اما  $dy_A/dz$  ثابت نیست.

۹۸- یک توپ لاستیکی به شعاع داخلی و خارجی ۲ و ۳ سانتی‌متر، پر از گاز نیتروژن است. دمای گاز داخل توپ

$30^\circ C$  و فشار آن ۱۲ اتمسفر است. اگر ضریب نفوذ گاز در لاستیک  $\frac{cm^2}{s} \times 10^{-6} \times 2$  و غلظت فصل مشترک

$\frac{mol}{cm^3} \times 10^{-4}$  باشد، حداکثر نشست نیتروژن از توپ چند  $\frac{mol}{s}$  است؟

(۱)  $1/44 \times 10^{-10}$  (۲)  $1/44 \times 10^{-8}$

(۳)  $1/22 \times 10^{-10}$  (۴)  $1/22 \times 10^{-8}$

۹۹- ماده‌ای شیمیایی که غلظت آن  $\frac{mol}{m^3}$  است، روی کف زمین ریخته می‌شود. اگر جریان تهویه به صورت موازی با

سرعت  $\frac{cm}{s} \times 9$  که عرض یک متری از زمین را پوشش می‌دهد در حال وزیدن باشد، میزان تبخیر ماده شیمیایی از

سطح مقطع واحد در مدت ۲ ثانیه چند مول است؟

( $Sc = 1, v = 10^{-6} \frac{m^2}{s}, D_{AB} = \frac{1}{3} \times 10^{-5} \frac{m^2}{s}$ )

$$Sh = 0.664 Re^{\frac{1}{2}} Sc^{\frac{1}{3}}$$

(۱)  $1/328 \times 10^{-3}$  (۲)  $2/64 \times 10^{-3}$

(۳)  $3/32 \times 10^{-4}$  (۴)  $6/64 \times 10^{-4}$

۱۰۰- جسم جامد قابل تصعید استوانه‌ای شکلی با شعاع  $R$  و طول  $L$  ( $L \gg R$ ) در محیط، در معرض هوا قرار گرفته است. کدام مورد بیانگر نرخ تغییر شعاع استوانه نسبت به زمان است؟ ( $K_C$ : ضریب انتقال جرم جابه‌جایی،  $C_A$ : غلظت  $A$  در فاز گاز،  $\rho_A$ : دانسیته جامد،  $M_A$ : جرم مولی جامد،  $C_A^*$ : غلظت اشباع و  $C_{A,\infty}$ : غلظت  $A$  در فاصله دور دست در هوا است.)

$$\frac{dR}{dt} = -\frac{M_A}{\rho_A} k_C (C_A^* - C_{A,\infty}) \quad (2) \quad \frac{dR}{dt} = \frac{-(2\pi RL)M_A}{\rho_A} k_C (C_A^* - C_{A,\infty}) \quad (1)$$

$$\frac{dR}{dt} = -\frac{M_A}{\rho_A} \quad (4) \quad \frac{dR}{dt} = \frac{-(2\pi RL)M_A}{\rho_A} \quad (3)$$

۱۰۱- معادلات تعادلی زیر برای حذف رطوبت از گاز طبیعی توسط جاذب‌های مختلف به دست آمده است. گاز خروجی از کدام بستر جاذب رطوبت بیشتری دارد؟

$$q = kP_{H_2O}^{\circ/\wedge} \quad (2) \quad q = \frac{k}{\gamma} P_{H_2O}^{\circ/\wedge} \quad (1)$$

$$q = 2kP_{H_2O}^{\circ/\wedge} \quad (4) \quad q = kP_{H_2O}^{\circ/\wedge} \quad (3)$$

۱۰۲- چنانچه فشار بخار آب در دمای ۴۲ درجه سانتی‌گراد برابر با ۵۴ میلی‌متر جیوه و فشار جزئی بخار آب در همان دما برابر ۲۷ میلی‌متر جیوه باشد، رطوبت هوا حدوداً چند درصد از حالت رطوبت اشباعی آن در فشار کل ۷۶۰ میلی‌متر جیوه می‌شود؟

$$48 \quad (2) \quad 46 \quad (1)$$

$$96 \quad (4) \quad 52 \quad (3)$$

۱۰۳- برای تغلیظ محلول کلرید منیزیم از غلظت ۵٪ تا ۲۰٪، از تبخیرکننده لوله بلند دو مرحله‌ای با جریان پیش‌رو استفاده می‌شود. اگر دبی جرمی خوراک و میزان اقتصاد (economy) به ترتیب  $\frac{kg}{hr}$  ۱۰۰۰ و ۱/۵ باشد، میزان

بخار مصرفی چند  $\frac{kg}{hr}$  است؟

$$167 \quad (2) \quad 33 \quad (1)$$

$$666 \quad (4) \quad 500 \quad (3)$$

۱۰۴- در مورد تعیین حداقل حلال لازم برای استخراج چند مرحله‌ای با جریان‌های متقابل در مختصات مثلثی، کدام عبارت درست است؟

(۱) نقطه تفاضل، دورترین محل تلاقی خط Tie (تعادل) با خط  $SR_{NP}$  است، در صورتی که این نقطه در سمت چپ حلال S قرار گیرد.

(۲) نقطه تفاضل، نزدیک‌ترین محل تلاقی خط Tie (تعادل) با خط  $SR_{NP}$  است، در صورتی که این نقطه در سمت چپ حلال S قرار گیرد.

(۳) نقطه تفاضل، دورترین محل تلاقی خط Tie (تعادل) با خط  $SR_{NP}$  است، در صورتی که این نقطه در سمت راست حلال S قرار گیرد.

(۴) نقطه تفاضل نزدیک‌ترین محل تلاقی خط Tie (تعادل) با خط  $SR_{NP}$  است، صرف‌نظر از اینکه این نقطه سمت راست یا سمت چپ حلال S قرار گیرد.

۱۰۵- ترکیب درصد محصولات در یک فرایند استخراج مایع - مایع تک مرحله‌ای، داده شده است. گزینش پذیری و ضریب توزیع به ترتیب کدام است؟

محصول استخراج شده	محصول باقی مانده
جزء جرمی حل شونده	۰/۳
جزء جرمی جزء همراه	۰/۲
جزء جرمی حلال	۰/۵

- (۱) ۰/۶ و ۵  
 (۲) ۱/۵ و ۶  
 (۳) ۱۲ و ۳  
 (۴) ۰/۲۵ و ۲۰

۱۰۶- در جداسازی مخلوط دو جزئی بنزن و تولوئن حاوی ۵۰ درصد مولی جزء فرار، معادله خطوط عملیاتی بخش غنی‌سازی و بازیابی برج به ترتیب  $y = 0.8x + 0.4$  و  $y = 2x - 0.2$  است. خوراک در چه حالتی وارد برج می‌شود؟

- (۱) مایع سرد  
 (۲) مایع اشباع  
 (۳) بخار اشباع  
 (۴) مخلوط دو فازی

۱۰۷- در مختصات Hxy در محاسبات برج تقطیر دو جزئی، تعداد ۶ قطب (نقطه تفاضل) برای برجی که دارای دو خوراک ورودی است، رسم شده است. این برج دارای چند محصول جانبی است؟

- (۱) ۳  
 (۲) ۴  
 (۳) ۵  
 (۴) ۶

۱۰۸- در یک سیستم تغییر ناگهانی (Flash vaporization) خوراک دو جزئی با  $z_f = 0.5$ ، طوری جدا می‌شود که دبی مولی یکسانی برای محصولات برج به دست می‌آید. در صورتی که ضریب فراریت سیستم ثابت و برابر با ۴ باشد، مول جزئی جزء فرار در محصول مایع این سیستم چقدر می‌شود؟

- (۱) ۰/۱۸  
 (۲) ۰/۲۷  
 (۳) ۰/۳۳  
 (۴) ۰/۴۵

۱۰۹- در یک مخلوط دو جزئی شامل A و B، مخلوط در ترکیب درصد جزء A برابر با ۰/۳۵، تشکیل آزنوتروپ با نقطه جوش ماکزیمم می‌دهد. کدام عبارت درست است؟

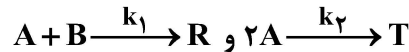
- (۱) در ترکیب درصد جزء B برابر با ۰/۳۵، مقدار عددی ضریب فراریت نسبی برابر با ۱ است.  
 (۲) در ترکیب درصد جزء A برابر با ۰/۳، مقدار عددی ضریب فراریت نسبی بزرگ‌تر از ۱ است.  
 (۳) در ترکیب درصد جزء A برابر با ۰/۳۵، مقدار عددی ضریب فراریت نسبی برابر با ۰/۳۵ است.  
 (۴) در ترکیب درصد جزء B برابر با ۰/۵۵، مقدار عددی ضریب فراریت نسبی بزرگ‌تر از ۱ است.

۱۱۰- در یک خشک‌کن سینی‌دار، جامد کریستالی مرطوب با جریان هوای ۶۰°C خشک می‌شود. اگر از گرمای هدایتی در سینی و گرمای تابشی از سینی بالایی چشم‌پوشی شود، در دوره شدت ثابت، کدام گزینه درست است؟

- (۱) دمای سطح جامد بیشتر از دمای حباب مرطوب هوا خواهد شد.  
 (۲) دمای سطح جامد با دمای حباب مرطوب هوا برابر خواهد شد.  
 (۳) با افزایش دمای جریان هوا، میزان تبخیر ثابت خواهد ماند.  
 (۴) با افزایش رطوبت هوا، میزان تبخیر ثابت خواهد ماند.

طرح راکتورهای شیمیایی:

۱۱۱- در یک راکتور لوله‌ای پیوسته (Plug) واکنش‌های بنیادی زیر انجام می‌شود.



برای حداکثر گزینش پذیری R نسبت به T، مقدار  $C_A$  و  $C_B$  به ترتیب باید چگونه باشد؟

- (۱) کم، زیاد (۲) زیاد، کم (۳) زیاد، زیاد (۴) ثابت، ثابت

۱۱۲- برای انجام واکنش  $A \xrightarrow{k} R$  با معادله سرعت  $-r_A = \frac{1}{(C_A - 1)^2}$  جهت رسیدن به درصد تبدیل ۶۰، کدام

سیستم راکتوری، مناسب‌تر است؟ ( $C_{A0} = 4 \frac{\text{mol}}{\text{lit}}$ )

(۱) استفاده از یک راکتور plug

(۲) استفاده از یک راکتور mixed

(۳) استفاده از دو راکتور پشت سرهم به صورت ابتدا mixed و سپس plug

(۴) استفاده از دو راکتور پشت سرهم به صورت ابتدا plug و سپس mixed

۱۱۳- واکنش درجه دوم  $A \rightarrow 2R$  در فاز گاز در یک راکتور لوله‌ای پیوسته در فشار و دمای ثابت انجام می‌شود. خوراک

متشکل از نسبت‌های مولی مساوی ماده A و گاز خنثی است. شدت جریان حجمی خوراک  $U_0$  و میزان تبدیل در

خروجی راکتور ۶۰ درصد است. درصد افزایش شدت جریان خروجی از راکتور چقدر است؟

- (۱) ۲۰ (۲) ۳۰

- (۳) ۵۰ (۴) ۶۰

۱۱۴- واکنش درجه اول  $A \rightleftharpoons B$  در فاز گاز انجام می‌شود. چنانچه ثابت تعادل  $K_c = 3$  باشد، درصد تبدیل حداکثر

کدام است؟ ( $C_{A0} = C_{B0} = 2$ )

- (۱) ۱۵ (۲) ۲۵

- (۳) ۵۰ (۴) ۷۵

۱۱۵- واکنش درجه صفر  $2A \rightarrow R$  در فاز گاز و با A خالص در یک راکتور ناپیوسته با حجم ثابت در دمای  $947^\circ C$  انجام می‌شود.

۴ دقیقه پس از شروع واکنش، فشار کل از ۲ atm به ۱/۵ atm کاهش می‌یابد. ثابت سرعت واکنش  $\frac{\text{mol}}{\text{lit} \cdot \text{min}}$  چند است؟

$$R \cong \frac{\text{mol}}{\text{lit} \cdot \text{min}}$$

- (۱)  $4 \times 10^{-3}$  (۲)  $5 \times 10^{-3}$

- (۳)  $2 \times 10^{-3}$  (۴)  $2.5 \times 10^{-3}$

۱۱۶- واکنش‌های موازی  $A \begin{matrix} \nearrow^{k_1} R \\ \searrow^{k_2} S \end{matrix}$  در یک راکتور لوله‌ای انجام می‌شود. اگر غلظت اولیه A برابر با یک مول بر لیتر و

$C_{S0} = C_{R0} = 0$ ،  $k_1 = 2 \text{ min}^{-1}$  و  $k_2 = 1 \text{ min}^{-1}$  باشد، حداکثر مقدار R که در راکتور لوله‌ای می‌تواند حاصل شود،

چقدر است؟

- (۱) ۰/۳۳ (۲) ۰/۵

- (۳) ۰/۶۶ (۴) ۰/۷

۱۱۷- گاز خالص A با شدت حجمی  $100 \frac{\text{lit}}{\text{min}}$  وارد یک راکتور مخلوط‌شونده پیوسته (Mixed) به حجم  $100 \text{ lit}$  می‌شود. در

این راکتور واکنش  $A \rightarrow 3R$  با معادله سرعت  $-r_A = 0.5 C_A$  انجام می‌شود. میانگین زمان اقامت در راکتور  $(\bar{t})$  چند دقیقه است؟

- (۱) ۰/۴۲  
 (۲) ۰/۶۷  
 (۳) ۱  
 (۴) ۱/۰۲۵

۱۱۸- واکنش سری  $A \xrightarrow{k_1=1\text{hr}^{-1}} R \xrightarrow{k_2=2\text{hr}^{-1}} S$  در یک راکتور Mixed با زمان اقامت متوسط ۱ ساعت، انجام می‌شود. اگر خوراک شامل A خالص با غلظت ۳ مولار باشد، غلظت اجزا در خروجی راکتور چند مولار است؟

- (۱)  $C_A = C_R = C_S = 1 \frac{\text{mol}}{\text{lit}}$   
 (۲)  $C_A = 1 \frac{\text{mol}}{\text{lit}}, C_R = 0.5 \frac{\text{mol}}{\text{lit}}, C_S = 1.5 \frac{\text{mol}}{\text{lit}}$   
 (۳)  $C_A = 1.5 \frac{\text{mol}}{\text{lit}}, C_R = 1 \frac{\text{mol}}{\text{lit}}, C_S = 0.5 \frac{\text{mol}}{\text{lit}}$   
 (۴)  $C_A = 1.5 \frac{\text{mol}}{\text{lit}}, C_R = 0.5 \frac{\text{mol}}{\text{lit}}, C_S = 1 \frac{\text{mol}}{\text{lit}}$

۱۱۹- دو راکتور Mixed پشت‌سرهم، برای انجام یک واکنش درجه دوم در فاز مایع به کار برده شده‌اند. حجم راکتور دوم، شش برابر حجم راکتور اول است. اگر غلظت واکنش‌دهنده A در ورودی و خروجی راکتور اول به ترتیب ۴ و ۲ مولار باشد، غلظت A در خروجی راکتور دوم چند مولار است؟

- (۱) ۱  
 (۲) ۰/۷۵  
 (۳) ۰/۶۷  
 (۴) ۰/۵

۱۲۰- واکنش آنزیمی  $A \rightarrow B$  با معادله سرعت  $-r_A = \frac{0.2 C_A}{1 + C_A} \frac{\text{mol}}{\text{lit} \cdot \text{min}}$ ، در یک راکتور لوله‌ای (Plug) انجام می‌شود.

در صورتی که دبی حجمی خوراک  $20 \frac{\text{lit}}{\text{min}}$  و شامل A خالص با غلظت  $1 \frac{\text{mol}}{\text{lit}}$  باشد، حجم مورد نیاز راکتور جهت دستیابی به درصد تبدیل ۵۰، برابر با چند لیتر است؟  $(\ln(2) = 0.7)$

- (۱) ۱۲۰  
 (۲) ۱۰۰  
 (۳) ۱۶۰  
 (۴) ۱۴۰

۱۲۱- واکنش فاز مایع درجه دوم تک مولکولی در یک راکتور ناپیوسته (Batch) انجام می‌شود و پس از ۱۰ دقیقه، ۸۰٪ از واکنش‌دهنده به محصول تبدیل می‌شود. اگر این واکنش در شرایط کاملاً یکسان در راکتورهای لوله‌ای (Plug) و Mixed (CSTR) انجام شود، برای حصول همان درصد تبدیل، زمان اقامت متوسط در دو راکتور کدام است؟

- (۱)  $\tau_{\text{Plug}} = 10 \text{ min}, \tau_{\text{Mixed}} = 10 \text{ min}$   
 (۲)  $\tau_{\text{Plug}} = 50 \text{ min}, \tau_{\text{Mixed}} = 50 \text{ min}$   
 (۳)  $\tau_{\text{Plug}} = 50 \text{ min}, \tau_{\text{Mixed}} = 10 \text{ min}$   
 (۴)  $\tau_{\text{Plug}} = 10 \text{ min}, \tau_{\text{Mixed}} = 50 \text{ min}$

۱۲۲- در واکنش ابتدایی و فاز مایع  $A \rightleftharpoons 2R$  اطلاعات زیر موجود است. اگر  $C_{A0} = 1 \frac{\text{mol}}{\text{lit}}$  و  $C_{R0} = 0$  باشند، ثابت

تبادل واکنش چند برابر غلظت اولیه A است؟

t (min)	۱۰	۴۰	۱۱۰	∞
$x_A$	۰/۱۵	۰/۳۰	۰/۴۵	۰/۶

۱ (۱)

۰/۹ (۲)

۰/۸ (۳)

۰/۷ (۴)

۱۲۳- برای واکنش فاز مایع درجه دوم  $A \rightarrow B$ ، نسبت زمان مورد نیاز برای آن که ۲۰٪ از A اولیه باقی بماند، به زمان مورد نیاز برای آن که ۶۰٪ از A تبدیل شود، چقدر است؟

۰/۶۶ (۴)

۱/۶۶ (۳)

۲/۶۶ (۲)

۳/۶۶ (۱)

۱۲۴- یک محلول حاوی ماده A با غلظت اولیه ۸ مول بر لیتر وارد یک راکتور مخلوط‌شونده (Mixed) که به صورت سری با یک راکتور لوله‌ای پیوسته (Plug) متصل است، می‌شود. اگر غلظت خروجی از راکتور مخلوط‌شونده برابر ۲ مول بر لیتر، واکنش از درجه یک و حجم راکتور مخلوط‌شونده و راکتور لوله‌ای برابر باشد، غلظت خروجی از راکتور لوله‌ای چند مول بر لیتر است؟

$\frac{2}{e^3}$  (۱)

$\frac{3}{e^2}$  (۲)

$\frac{3}{e^4}$  (۳)

$\frac{4}{e^3}$  (۴)

۱۲۵- اگر سرعت واکنشی به صورت  $-r_A = \frac{2C_A^2}{1+C_A}$  باشد، کدام مورد درست است؟

(۱) درجه واکنش در محدوده‌ای از غلظت، یک است.

(۲) درجه واکنش در محدوده‌ای از غلظت صفر است.

(۳) ثابت سرعت در محدوده‌ای از غلظت، برابر با یک است.

(۴) ثابت سرعت در محدوده‌ای از غلظت برابر با صفر است.

ریاضیات (کاربردی، عددی):

۱۲۶- اگر a، گردشده عدد A تا ۴ رقم اعشار باشد، در این صورت حداکثر مقدار e(a) (خطای مطلق a) کدام است؟

$0.5 \times 10^{-3}$  (۱)

$0.5 \times 10^{-4}$  (۲)

$0.5 \times 10^{-5}$  (۳)

$0.5 \times 10^{-6}$  (۴)

۱۲۷- اگر معادله زیر با روش تکرار ساده (fixed-point) داده شده (x) حل شود، شرایط همگرایی کدام است؟

$$F(x) = x^2 + 2x - 3 = 0$$

$$x = g(x) = \frac{1}{2}(3 - x^2)$$

(۱)  $-1 < x < 1$

(۲)  $2 < x < 3$

(۳)  $-3 < x < 2$

(۴)  $2 < x^2 - 3 < 6$

۱۲۸- شکل معادله تفاضل محدود برای معادله دیفرانسیل زیر با استفاده از تفاضل مرکزی و خطای از مرتبه  $O(h^2)$ ، کدام است؟

$$y'' + 2xy' + (x^2 - B^2)y = \cos(x)$$

(۱)  $(1 - hx_i)y_{i+1} + [h^2(x_i^2 - B^2) + 2]y_i + (1 + hx_i)y_{i-1} = h \cos x_i$

(۲)  $(1 - hx_i)y_{i+1} + [h^2(x_i^2 - B^2) - 2]y_i + (1 - hx_i)y_{i-1} = h^2 \cos x_i$

(۳)  $(1 + hx_i)y_{i+1} + [h^2(x_i^2 - B^2) - 2]y_i + (1 - hx_i)y_{i-1} = h^2 \cos x_i$

(۴)  $(1 + hx_i)y_{i+1} + [h^2(x_i^2 - B^2) + 2]y_i + (1 + hx_i)y_{i-1} = h^2 \cos x_i$

۱۲۹- تابع جدولی زیر مفروض است. اگر روش انتگرال گیری سیمپسون برای محاسبه انتگرال  $\int_0^3 f(x) dx$  به کار رود،

$x_i$	0	0.5	1	2	3
$f_i$	1	2	5	17	37

جواب درست انتگرال کدام است؟

(۱) ۳۶

(۲) ۳۷

(۳) ۳۹

(۴) ۴۱

۱۳۰- مقدار  $x_2$  به روش کرامر، کدام است؟

$$\begin{cases} a_1x_1 + b_1x_2 + c_1x_3 = d_1 \\ a_2x_1 + b_2x_2 + c_2x_3 = d_2 \\ a_3x_1 + b_3x_2 + c_3x_3 = d_3 \end{cases} \quad D = \begin{vmatrix} a_1 & b_1 & c_1 \\ a_2 & b_2 & c_2 \\ a_3 & b_3 & c_3 \end{vmatrix}$$

$$\begin{vmatrix} d_1 & b_1 & c_1 \\ a_2 & d_2 & c_2 \\ a_3 & b_3 & d_3 \end{vmatrix} \quad (۲)$$

D

$$\begin{vmatrix} a_1 & b_1 & d_1 \\ a_2 & b_2 & d_2 \\ a_3 & b_3 & d_3 \end{vmatrix} \quad (۱)$$

D

$$\begin{vmatrix} a_1 & d_1 & c_1 \\ a_2 & d_2 & c_2 \\ a_3 & d_3 & c_3 \end{vmatrix} \quad (۴)$$

D

$$\begin{vmatrix} a_1 & b_1 & c_1 \\ d_1 & d_2 & d_3 \\ a_3 & b_3 & c_3 \end{vmatrix} \quad (۳)$$

D



۱۳۱- فرم نیوتن رافسون برای حل معادله جبری غیرخطی زیر، کدام است؟

$$e^{-x} + x^2 + 1 = 0$$

$$x_{n+1} = \frac{-1 - e^{-x_n}}{x_n} \quad (1)$$

$$x_{n+1} = x_n + e^{-x_n} + x_n^2 + 1 \quad (2)$$

$$x_{n+1} = x_n - \frac{-e^{-x_n} + 2x_n}{e^{-x_n} + x_n^2 + 1} \quad (3)$$

$$x_{n+1} = x_n - \frac{e^{-x_n} + x_n^2 + 1}{-e^{-x_n} + 2x_n} \quad (4)$$

۱۳۲- مقدار غلظت در یک راکتور ناپیوسته با معادله زیر داده شده است. با روش اولر و با گام ۱ دقیقه، مقدار غلظت ۲ دقیقه پس از شروع واکنش در راکتور چقدر خواهد بود؟

$$\frac{dc}{dt} = -kc ; @ t = 0 : c = 0.75$$

$$k = 0.9$$

$$0.7075 \quad (1)$$

$$0.75 \quad (2)$$

$$0.75 \quad (3)$$

$$1.5 \quad (4)$$

۱۳۳- مقدار ماتریس ژاکوبی در حل دستگاه معادلات غیرخطی زیر، کدام است؟

$$f_1(x) = x_1^2 + x_2^2 - 3 = 0$$

$$f_2(x) = x_1 x_2 - 1 = 0$$

$$\begin{bmatrix} 2x_1 & 2x_2 \\ x_2 & x_1 \end{bmatrix} \quad (2)$$

$$\begin{bmatrix} 2x_1 & x_2 \\ 2x_2 & x_1 \end{bmatrix} \quad (1)$$

$$\begin{bmatrix} x_2 x_1 & x_1 \\ x_2 & x_1 x_2 \end{bmatrix} \quad (4)$$

$$\begin{bmatrix} x_2 & x_1 \\ 2x_1 & 2x_2 \end{bmatrix} \quad (3)$$

۱۳۴- مقدار  $C_p$  برای یک ماده مایع با معادله  $C_p = aT^2 + b$  به دست می آید. اگر در  $n$  دمای مختلف  $C_p$  این ماده در آزمایشگاه اندازه گیری شده باشد، مقدار  $a$  و  $b$  با کدام گزینه محاسبه می شود؟

$$\sum_{i=1}^n [C_{Pmi} - (aT_i^2 + b)]^2 = 0 \quad (1)$$

$$\frac{\partial}{\partial a} \sum_{i=1}^n (aT_i^2 + b) = 0, \frac{\partial}{\partial b} \sum_{i=1}^n (aT_i^2 + b)^2 = 0 \quad (2)$$

$$\frac{\partial}{\partial a} \sum_{i=1}^n [C_{Pmi} - (aT_i^2 + b)]^2 = 0, \frac{\partial}{\partial b} \sum_{i=1}^n [C_{Pmi} - (aT_i^2 + b)]^2 = 0 \quad (3)$$

(۴) هیچ کدام

x	F(x)
-۲	۳
۰	۱
۲	۴

۱۳۵- با توجه به اطلاعات داده شده مقدار  $\frac{dF}{dx}$  (۰) با بیشترین دقت ممکن کدام است؟

- (۱) -۱
- (۲) ۰/۲۵
- (۳) ۰/۵
- (۴) ۱/۵

۱۳۶- اگر مجموعه‌ای از توابع  $\emptyset$  را به صورت زیر در محدوده  $a \leq x \leq b$  داشته باشیم، کدام گزینه برای این توابع درست است؟

$$\emptyset\{\emptyset_1(x), \emptyset_2(x), \dots, \emptyset_n(x)\} = \{\emptyset_k(x), k = 1, 2, 3, \dots\}$$

(۱) برای توابع متعامد  $\emptyset_k(x)$  باید:  $\int_a^b \emptyset_m(x) \emptyset_n(x) dx = 0$

(۲) برای توابع متعامد  $\emptyset_k(x)$  باید:  $\int_a^b \emptyset_m(x) \emptyset_n(x) dx = 1$

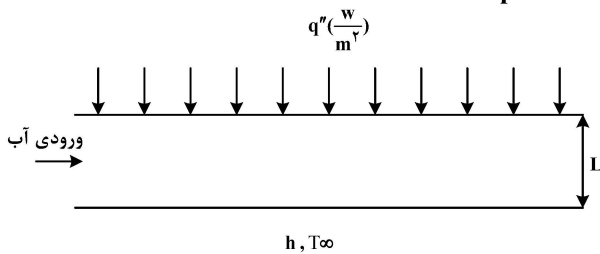
(۳) برای توابع نرمال  $\emptyset_k(x)$  باید:  $\int_a^b \{\emptyset(x)\}^2 dx = \frac{1}{\rho}$

(۴) برای توابع نرمال  $\emptyset_k(x)$  باید:  $\int_a^b \{\emptyset(x)\}^2 dx = 0$

۱۳۷- یک کانال به طول B و سطح مقطع مربع در نظر بگیرید. آب درون کانال با سرعت ثابت  $u_0$  ( $\frac{m}{s}$ ) در حال حرکت

است. سطح بالایی کانال در معرض شار حرارتی ثابت  $q''$  ( $\frac{W}{m^2}$ ) است و سطح پایین در تماس با محیط، خنک

می‌شود. کدام عبارت دمای پایای آب درون کانال را توصیف می‌کند؟  $\alpha = \frac{k}{\rho C_p}$



$$-\frac{d^2T}{dx^2} + \frac{u_0}{\alpha} \frac{dT}{dx} + \frac{q''}{kB} - \frac{h}{kB}(T - T_\infty) = 0 \quad (1)$$

$$-\frac{d^2T}{dx^2} + \frac{u_0}{\alpha} \frac{dT}{dx} + \frac{q''}{kL} + \frac{h}{kL}(T - T_\infty) = 0 \quad (2)$$

$$\frac{d^2T}{dx^2} - \frac{u_0}{\alpha} \frac{dT}{dx} + \frac{q''}{kB} - \frac{h}{kB}(T - T_\infty) = 0 \quad (3)$$

$$\frac{d^2T}{dx^2} - \frac{u_0}{\alpha} \frac{dT}{dx} + \frac{q''}{kL} - \frac{h}{kL}(T - T_\infty) = 0 \quad (4)$$

۱۳۸- جواب خصوصی معادله دیفرانسیل زیر کدام است؟

$$y^{(4)} - y'' = 4 \cdot x^3 + x - 1$$

$$x^3(Ax^3 + Bx^2 + Cx + D) \quad (1)$$

$$x(Ax^3 + Bx^2 + Cx + D) \quad (2)$$

$$x^3(Ax^3 + Bx + D) \quad (3)$$

$$x(Ax^3 + Bx^2 + Cx) \quad (4)$$

۱۳۹- جواب خصوصی معادله دیفرانسیل زیر کدام است؟

$$\begin{cases} \frac{\partial^2 u}{\partial x \partial t} - \cos(t) = 0 \\ \frac{\partial u(0, x)}{\partial t} = x \\ u(t, 0) = 0 \end{cases}$$

(۱)  $x \cos(t)$

(۲)  $x \sin(t)$

(۳)  $x(\cos(t) - x)$

(۴)  $x(x + \sin(t))$

۱۴۰- در حل معادلات دیفرانسیل به روش تبدیل لاپلاس، جواب تبدیل لاپلاس  $\{t^{n+1}\}$ ، کدام است؟

(۱)  $\frac{n!}{s^n}$

(۲)  $\frac{n!}{s^{n+1}}$

(۳)  $\frac{(n+1)!}{s^{n+1}}$

(۴)  $\frac{(n+1)!}{s^{n+2}}$

۱۴۱- تبدیل فوریه سینوسی تابع  $\frac{1}{\sqrt{x}}$  برابر  $2\sqrt{\omega}$  است. تبدیل فوریه کسینوسی تابع  $\frac{1}{\sqrt{x}}$ ، کدام است؟

(۱)  $F_c\left(\frac{1}{\sqrt{x}}\right) = \sqrt{\omega}$

(۲)  $F_c\left(\frac{1}{\sqrt{x}}\right) = \sqrt{\frac{1}{\omega}}$

(۳)  $F_c\left(\frac{1}{\sqrt{x}}\right) = \sqrt{\frac{\pi}{\omega}}$

(۴)  $F_c\left(\frac{1}{\sqrt{x}}\right) = \sqrt{\frac{\omega}{\pi}}$

۱۴۲- سری فوریه تابع زیر، کدام است؟

$$f(x) = f(x+2)$$

$$f(x) = \begin{cases} x+1 & -1 \leq x \leq 0 \\ -x+1 & 0 < x \leq 1 \end{cases}$$

$$\frac{1}{2} + \frac{4}{\pi^2} \left( \cos(\pi x) + \frac{1}{3^2} \cos(3\pi x) + \frac{1}{5^2} \cos(5\pi x) + \dots \right) \quad (1)$$

$$\frac{1}{2} - \frac{4}{\pi^2} \left( \cos(\pi x) + \frac{1}{3^2} \cos(3\pi x) + \frac{1}{5^2} \cos(5\pi x) + \dots \right) \quad (2)$$

$$\frac{1}{2} + \frac{4}{\pi^2} \left( \frac{1}{2^2} \cos(2\pi x) + \frac{1}{4^2} \cos(4\pi x) + \frac{1}{6^2} \cos(6\pi x) + \dots \right) \quad (3)$$

$$\frac{1}{2} - \frac{4}{\pi^2} \left( \frac{1}{2^2} \cos(2\pi x) + \frac{1}{4^2} \cos(4\pi x) + \frac{1}{6^2} \cos(6\pi x) + \dots \right) \quad (4)$$

۱۴۳- معادله دیفرانسیل جزئی ناهمگن زیر، از درجه چند است؟

$$\frac{\partial^2 u}{\partial x^2} + \left(\frac{\partial^2 u}{\partial x \partial y}\right)^2 + \frac{\partial^2 u}{\partial y^2} = x^2 + y^2$$

(۲) دو

(۱) یک

(۴) چهار

(۳) سه

۱۴۴- معادله دیفرانسیل پاره‌ای  $y \frac{\partial^2 u}{\partial x^2} + x \frac{\partial^2 u}{\partial x \partial y} = 0$ ، از کدام نوع است؟

(۱) سهموی

(۲) بیضوی

(۳) هذلولی

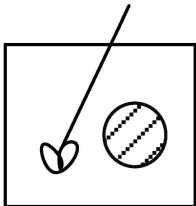
(۴) نوع معادله به علامت X و Y بستگی دارد.

۱۴۵- مطابق شکل، مخزنی مجهز به همزن از آب خالص پر شده است. حجم آب (V) ثابت است. در لحظه صفر یک دانه

سود به شکل کروی با شعاع  $r_0$  وارد مخزن شده و کم‌کم در آب حل می‌شود. با فرض ثابت ماندن سطح جانبی دانه

سود، با فرض ثابت بودن دما، تغییرات غلظت سود در محلول چگونه است؟ نرخ انتقال جرم سود:  $k_c A_s (c^* - c)$

( $A_s$  سطح جانبی سود،  $k_c$  ضریب انتقال جرم سود و  $c^*$  حلالیت سود در دمای ثابت است.)



$$\frac{c}{c^*} = \left(1 + \frac{k_c A_s}{V}\right) t \quad (1)$$

$$\frac{c}{c^*} = \left(1 - \frac{k_c A_s}{V}\right) t \quad (2)$$

$$\frac{c}{c^*} = 1 + \exp\left(-\frac{k_c A_s}{V} t\right) \quad (3)$$

$$\frac{c}{c^*} = 1 - \exp\left(-\frac{k_c A_s}{V} t\right) \quad (4)$$